

GS1 Germany EDI Recommendation

**for the textile sectors
CFB-Connecting Fashion Business
V2.1
Instructions for Returns**

(RETINS)

**based on
EANCOM[®] 2002 S3**

1. Introduction.....	2
2. List of business terms	6
3. Message structure chart.....	8
4. Branching diagram	9
5. Segment Descriptions	12
6. Segments layout.....	15
7. EANCOM-Segments layout	48
8. Example(s)	81

1. Introduction

Preamble

The aim of the brochure on hand is to offer documentation describing the exchange of instruction for returns data between business partners.

The basis of this elaboration is the international standard EANCOM® 2002. The message type RETINS 003 is used to transmit relevant data. GEFEG.FX (Gefeg mbH, Berlin) was used as the documentation tool.

Please be aware to know that this booklet does not replace the complete specifications in the original chapters or other relevant instructions within the EANCOM® 2002 documentation. Instead, it deals with the description of segments, data elements and codes to be used for a specific task.

The current documentation has been produced by the GS1 Germany GmbH in Cologne. GS1 Germany assumes no liability for any damages incurring from the use of this documentation. This brochure or extracts thereof may only be published or forwarded to third parties with the express written consent of GS1 Germany, which holds copyright on this work.

GS1 Germany thanks all experts who contributed significantly to these guidelines with knowledge from their daily business.

Important note:

To fulfill the requirements of directive 2003/58/EG, article 4, C058 has been opened in NAD segments identifying a message sender. If the place in the 5 DE 3124 is not sufficient, the following RFF segments can be used, qualified with DE 1153 = GN. DE 1154 has got a capacity of 70 digits. Only in those cases, when no RFF segment follows NAD, a RFF+GN can be used in the heading section of the message. Within the EDI recommendations of GS! Germany this is only applicable for the messages REMADV and SLSFCT.

1. Introduction

Conventions

This brochure offers different ways to start:

Section 2, "Business Terms", is a table which links directly to the sequence numbers of the segments.

Section 3, "Message Structure Chart", is a list of all used segments in the same sequence as they are defined in the EANCOM® message. In general, for each piece of information one single segment is provided. Exceptions may arise when the occurrence of a segment is limited and can contain alternative information (e.g., segment BGM).

Section 4, "Branching Diagram", is a hierarchical graphic depiction of all used segments in the same sequence as they are defined in the EANCOM® message. However, every segment is shown only once, and it is therefore possible that the sequence numbering is interrupted.

Section 5, "Segments Description", is a brief summary of the use of each segment.

In **Section 6, "Segments Layout"**, an illustration that has been chosen to match the business terms (data from the inhouse application) with the elements from the EANCOM® syntax.

In **Section 7, "EANCOM® Segments Layout"**, the message is presented in a similar layout as in the EANCOM® manual.

Note on sections 6 and 7:

An additional column (GER) to provide a German status has been added to the layouts. An entry indicates that the recommended status differs from the EANCOM® status. If the recommended status is weaker than the EANCOM® status, the data element (or, if only one term exists the entire segment) can be omitted.

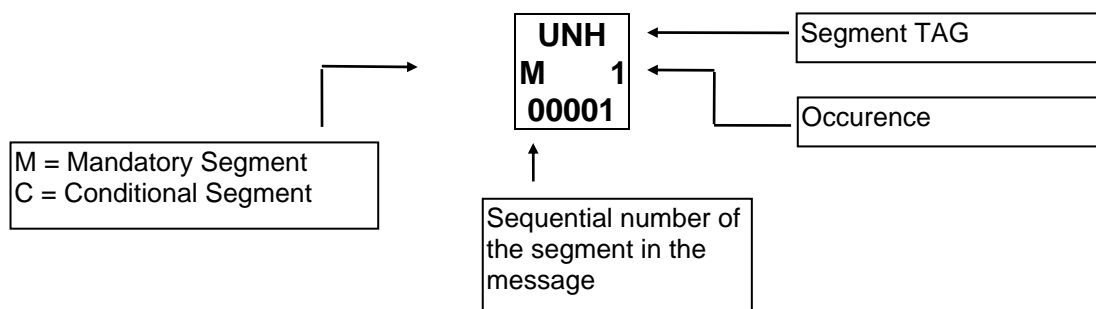
In general, code names are presented in red; these must to be understood as restricted and should not be changed/modified without bilateral agreement with the partner. If codes are given as examples, they are represented in blue (e.g., measurements). In this case, all codes of the relevant code list can be used.

Section 8, "Example(s)", provides at least one message example with comments.

Please note that, for technical reasons, the examples can contain component data element separators, which would otherwise be represented as data element separators in the original messages.

1. Introduction

The following conventions apply to this brochure:



Business Term			EANCOM-Mapping		
Name	Format	Status	DEG	DE	Description
a	alphabetic character				Data element
n	numeric character				Data element group
an	alphanumeric character				
a3	3 alphabetic characters, fixed length				
n3	3 numeric characters, fixed length				
an3	3 alphanumeric characters, fixed length				
a..3	up to 3 alphabetic characters				
n..3	up to 3 numeric characters				
an..3	up to 3 alphanumeric characters				
					C = Conditional M = Mandatory R = Required D = Depending O = Optional A = Recommended N = Not used

1. Introduction

Message structure

Heading section

Specification of sender and receiver, message date and message number.

Detail section

Specification of goods instructed for returns.

Summary section

The summary section is for syntactical reasons only.

2. Business Terms

Term	EANCOM-Segment			Data element	
	No.	Segment	SG	DEG	DE
Acknowledgement request	2	UNB			0031
Address for reverse routing	2	UNB		S002	0008
Application reference	2	UNB			0026
Character set	2	UNB		S001	0001
Component data element separator	1	UNA			UNA1
Creation date	5	DTM		C507	2380
Currency	23	MOA	SG11#1	C516	6345
Data element separator	1	UNA			UNA2
Date of announcement for returns	10	DTM	SG2#1	C507	2380
Date of announcement for returns	25	DTM	SG11#1\SG13#1	C507	2380
Decimal notation	1	UNA			UNA3
Delivery date, requested	6	DTM		C507	2380
Delivery note	12	RFF	SG2#3	C506	1154
Delivery note	27	RFF	SG11#1\SG13#3	C506	1154
Despatch advice	11	RFF	SG2#2	C506	1154
Despatch advice	26	RFF	SG11#1\SG13#2	C506	1154
Document number	4	BGM		C106	1004
EANCOM	2	UNB			0032
End of the transmission file, Number of messages or message groups	32	UNZ			0036
File creation date	2	UNB		S004	0017
File creation time	2	UNB		S004	0019
GTIN	19	LIN	SG11#1	C212	7140
Identification of buyer	15	NAD	SG3#2	C082	3039
Identification of supplier	13	NAD	SG3#1	C082	3039
Identification of the receiver of the transmission file	2	UNB		S003	0010
Identification of the sender of the transmission file	2	UNB		S002	0004
Instruction for return, code	17	CDI	SG6#2	C564	7007
Instruction for return, code	29	CDI	SG11#1\SG18#2	C564	7007
Instruction for return, date	18	DTM	SG6#2	C507	2380
Interchange control reference, beginnig	2	UNB			0020
Interchange control reference, end	32	UNZ			0020
Line item amount	23	MOA	SG11#1	C516	5004
Line item number	19	LIN	SG11#1		1082
Location of goods	22	LOC	SG11#1	C517	3225
Message reference number	3	UNH			0062
Number of announcement for returns	9	RFF	SG2#1	C506	1154
Number of announcement for returns	24	RFF	SG11#1\SG13#1	C506	1154
Number of segments within a message	31	UNT			0074
Password interchange	2	UNB		S005	0022
Pick-up date	7	DTM		C507	2380
Process variant, coded	4	BGM		C002	1000
Reasons for return, code	16	CDI	SG6#1	C564	7007
Reasons for return, code	28	CDI	SG11#1\SG18#1	C564	7007
Release character	1	UNA			UNA4
Reserved for future use	1	UNA			UNA5
Return date	8	DTM		C507	2380
Return quantity	21	QTY	SG11#1	C186	6060
Routing address	2	UNB		S003	0014
Segment terminator	1	UNA			UNA6

2. Business Terms

Term	EANCOM-Segment			Data element	
	No.	Segment	SG	DEG	DE
Statements on business letters	14	RFF	SG3#1\SG4#1	C506	1154
Supplier's article number	20	PIA	SG11#1	C212	7140
Syntax version	2	UNB		S001	0002
Test indicator	2	UNB			0035
Unit of measurement	21	QTY	SG11#1	C186	6411

3. Message Structure Chart

UNA	1	C	1	- Used character set
UNB	2	M	1	- Beginning of transmission file

RETINS Heading Section

UNH	3	M	1	- Beginn of message
BGM	4	M	1	- Document Number
DTM	5	C	9	- Creation date
DTM	6	C	9	- Delivery date, requested
DTM	7	C	9	- Pick-up date
DTM	8	C	9	- Return date
SG2		C	9	- RFF-DTM
RFF	9	M	1	- Number of announcement for returns
DTM	10	C	9	- Date of announcement for returns
SG2		C	9	- RFF
RFF	11	M	1	- Despatch advice
SG2		C	9	- RFF
RFF	12	M	1	- Delivery note
SG3		C	9	- NAD-SG4
NAD	13	M	1	- Identification of supplier
SG4		C	9	- RFF
RFF	14	M	1	- Statements on business letters
SG3		C	9	- NAD
NAD	15	M	1	- Identification of buyer
SG6		C	99	- CDI
CDI	16	M	1	- Reason for returns
SG6		C	99	- CDI-DTM
CDI	17	M	1	- Instructions for returns
DTM	18	C	9	- Dates for instructions for returns

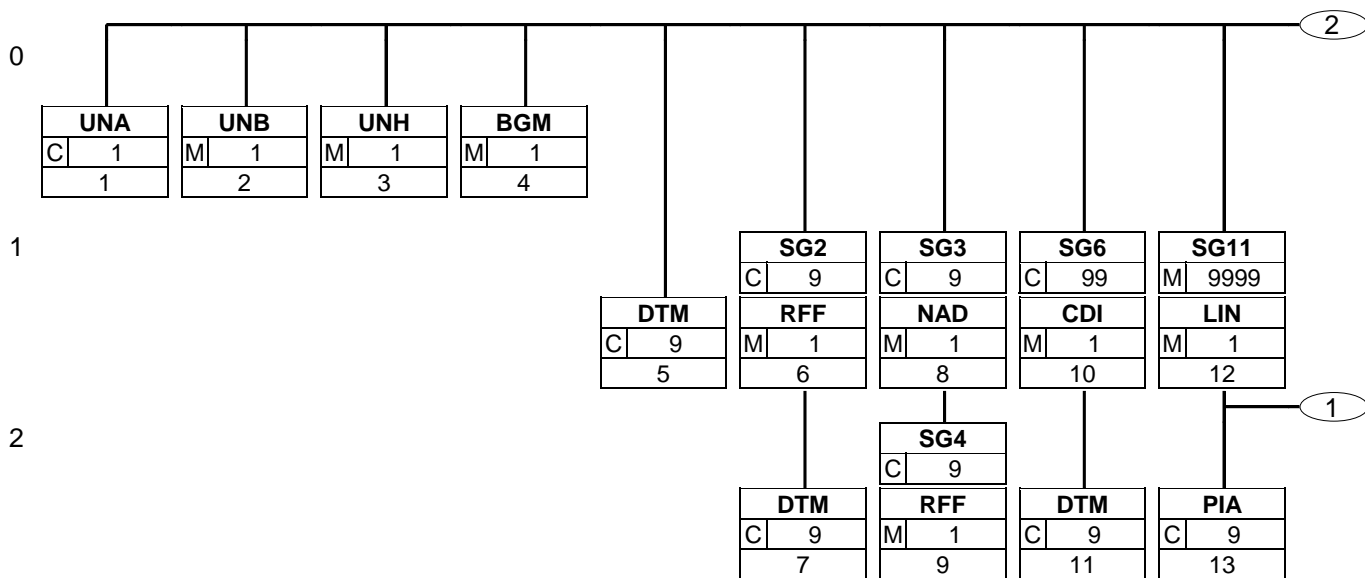
RETINS Detail section

SG11		M	9999	- LIN-PIA-QTY-LOC-MOA-SG13-SG13-SG13-SG18-SG18
LIN	19	M	1	- GTIN article number
PIA	20	C	9	- Suppliers article number
QTY	21	C	9	- Return quantity
LOC	22	C	9	- Location of goods
MOA	23	C	9	- Line item amount
SG13		C	9	- RFF-DTM
RFF	24	M	1	- Number of announcement for returns
DTM	25	C	9	- Date of announcement for returns
SG13		C	9	- RFF
RFF	26	M	1	- Despatch advice
SG13		C	9	- RFF
RFF	27	M	1	- Delivery note
SG18		C	99	- CDI
CDI	28	M	1	- Reason for returns
SG18		C	99	- CDI-DTM
CDI	29	M	1	- Instructions for returns
DTM	30	C	9	- Dates for instructions for returns

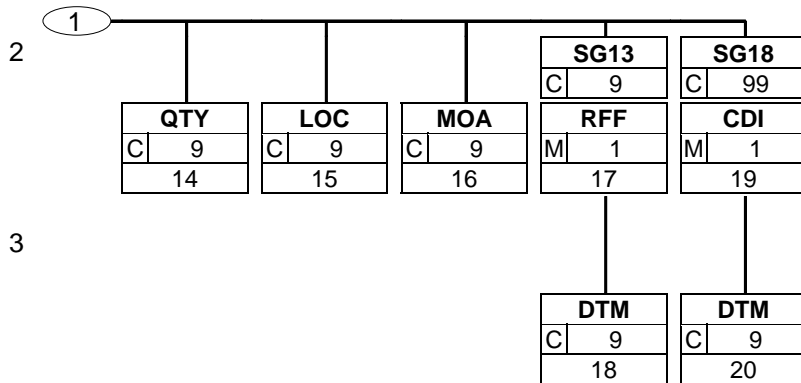
RETINS Summary section

UNT	31	M	1	- End of message
UNZ	32	M	1	- End of the transmission file

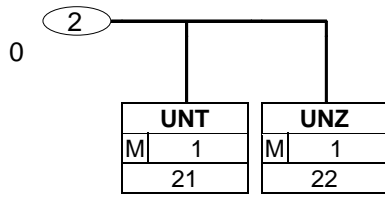
4. Branching Diagram



4. Branching Diagram



4. Branching Diagram



5. Segments Description

- UNA - C 1** - **Used character set**
The use of the UNA segment is mandatory, if character set "A" (UNB,DE0001) is not used.
- UNB - M 1** - **Beginning of transmission file**
This segment is used to envelope the interchange, as well as to identify both, the party to whom the interchange is sent and the party who has sent the interchange.

RETINS Heading Section

- UNH - M 1** - **Beginn of message**
This segment is used to head, identify and specify a message.
- BGM - M 1** - **Document Number**
This segment is used to indicate the type and function of a message and to transmit the identifying number.
- DTM - C 9** - **Creation date**
Identification of the 'Document/message date/time' (code value 137) is mandatory in the invoice message.
- DTM - C 9** - **Delivery date, requested**
This segment is used to specify, where required, requested dates concerning the delivery of goods.
- DTM - C 9** - **Pick-up date**
DTM segment is used specify date, and/or time, or period.
- DTM - C 9** - **Return date**
This segment is used by the supplier to specify the return date.
- SG2 - C 9** - **RFF-DTM**
- RFF - M 1** - **Number of announcement for returns**
This segment can contain a reference to number of a announcement for returns
- DTM - C 9** - **Date of announcement for returns**
This segment is used to specify any dates related to the references given in the previous RFF segment.
- SG2 - C 9** - **RFF**
- RFF - M 1** - **Despatch advice**
This segment is used to specify any references valid for the complete instructions for returns message.
This segment is used to reference the despatch advice number (DESADV).
- SG2 - C 9** - **RFF**
- RFF - M 1** - **Delivery note**
This segment can be used to reference the delivery note number.
- SG3 - C 9** - **NAD-SG4**
- NAD - M 1** - **Identification of supplier**
Within EANCOM it is mandatory to identify the supplier/manufacturer by Global Location Number (GLN).
- SG4 - C 9** - **RFF**
- RFF - M 1** - **Statements on business letters**
This RFF segment may only be used if the preceeding NAD has not enough space to fulfill the requirements of directive 2003/58/EG, article 4.
- SG3 - C 9** - **NAD**

5. Segments Description

NAD - M 1	- Identification of buyer Within EANCOM it is mandatory to identify the buyer by Global Location Number (GLN).
SG6 - C 99	- CDI
CDI - M 1	- Reason for returns This segment is used to indicate conditions specified by the message sender concerning the return or otherwise of all the goods detailed in the message.
SG6 - C 99	- CDI-DTM
CDI - M 1	- Instructions for returns This segment is used to indicate conditions specified by the message sender concerning the return or otherwise of all the goods detailed in the message.
DTM - C 9	- Dates for instructions for returns This segment is used to specify dates relevant to the returns conditions and instructions provided in the CDI and INS segments for the entire message.

RETINS Detail section

SG11 - M 9999	- LIN-PIA-QTY-LOC-MOA-SG13-SG13-SG13-SG18-SG18
LIN - M 1	- GTIN article number The LIN-segment is used to specify the item being ordered.
PIA - C 9	- Suppliers article number This segment is only used, if LIN segment does not provide a GTIN. Then it must follow the LIN segment immediately. In this case LIN segment (mandatory) only provides the line item number. Identification of the article is done by use of the suppliers article number in this PIA segment, DE 4347 is filled with "5" for primary identification.
QTY - C 9	- Return quantity The QTY segment is used to specify the return quantity for the current line item, which was identified in the LIN segment.
LOC - C 9	- Location of goods This segment is used to identify locations relevant to the current line item.
MOA - C 9	- Line item amount This segment provides the line item amount.
SG13 - C 9	- RFF-DTM
RFF - M 1	- Number of announcement for returns This segment can contain a reference to number of a announcement for returns
DTM - C 9	- Date of announcement for returns This segment is used to specify any dates related to the references given in the previous RFF segment.
SG13 - C 9	- RFF
RFF - M 1	- Despatch advice This segment is used to specify any references valid for the current line item of the instruction for returns message. This segment is used to reference the despatch advice number (DESADV).
SG13 - C 9	- RFF
RFF - M 1	- Delivery note This segment can be used to reference the delivery note number.
SG18 - C 99	- CDI

5. Segments Description

- CDI - M 1** - **Reason for returns**
This segment is used to indicate conditions (actions) requested by the message sender for the current line item.
- SG18 - C 99** - **CDI-DTM**
- CDI - M 1** - **Instructions for returns**
This segment is used to indicate conditions (actions) requested by the message sender for the current line item.
- DTM - C 9** - **Dates for instructions for returns**
This segment is used to specify dates relevant to the returns conditions and instructions provided in the CDI valid for the current line item only.

RETINS Summary section

- UNT - M 1** - **End of message**
This segment is a mandatory UN/EDIFACT segment. It must always be the last segment in the message.
- UNZ - M 1** - **End of the transmission file**
The UNZ segment is the last segment of the transmission file.

6. Segments Layout

Segment number: 1

UNA - C 1 - Service string advice						
Description: To define the characters selected for use as delimiters and indicators in the rest of the interchange that follows.						
Business Term	DE	EDIFACT	EAN	*	GER	Description
Component data element separator	UNA1	M an1	M			Default value: ":"
Data element separator	UNA2	M an1	M			Default value: "+"
Decimal notation	UNA3	M an1	M			Default value: "."
Release character	UNA4	M an1	M			Default value: "?"
Reserved for future use	UNA5	M an1	M			(Default value: space)
Segment terminator	UNA6	M an1	M			Default value: "' '
Segment notes: The use of the UNA segment is mandatory, if character set "A" (UNB,DE0001) is not used. For international EDI the use of character set UNOA is recommended. For national (German) EDI the use of UNOC is reasonable because it contains lower case letters and umlauts. Example: UNA:+.? ' The UNA segment contains the default service string characters.						

6. Segments Layout

Segment number: 2

UNB - M 1 - Interchange header					
Description: To start, identify and specify an interchange.					
Business Term	DE	EDIFACT	EAN *	GER	Description
	S001	M	M		
Character set	0001	M a4	M		UNOA = UN/ECE level A UNOB = UN/ECE level B UNOC = UN/ECE level C UNOD = UN/ECE level D UNOE = UN/ECE level E UNOF = UN/ECE level F
Syntax version	0002	M n1	M		3 = Version 3
	S002	M	M		
Identification of the sender of the transmission file	0004	M an..35	M		= Global Location Number (GLN)
	0007	C an..4	R		14 = GS1
Address for reverse routing	0008	C an..14	O		See note
	S003	M	M		
Identification of the receiver of the transmission file	0010	M an..35	M		= Global Location Number (GLN)
	0007	C an..4	R		14 = GS1
Routing address	0014	C an..14	O		See note
	S004	M	M		
File creation date	0017	M n6	M		= Dateformat JJMMTT
File creation time	0019	M n4	M		= Timeformat HHMM
Interchange control reference, beginnig	0020	M an..14	M		= Unique senders reference
	S005	C	O		
Password interchange	0022	M an..14	M		
	0025	C an2	O		AA = Reference BB = Password
Application reference	0026	C an..14	O		Message type if the transmission fole contains only one message type
	0029	C a1	O		A = Highest priority
Acknowledgement request	0031	C n1	O		
EANCOM	0032	C an..35	O	R	= EANCOM... EDIFACT subset identification (see note)
Test indicator	0035	C n1	O		1 = Interchange is a test
Segment notes: This segment is used to envelope the interchange, as well as to identify both, the party to whom the interchange is sent and the party who has sent the interchange. For international EDI the use of character set UNOA is recommended. For national (German) EDI the use of UNOC is reasonable because it contains lower case letters and umlauts. Note DE 0008: The address for reverse routing is provided by the interchange sender to inform the interchange recipient of the					

6. Segments Layout

Segment number: 2

address within the sender's (source) system to which responding interchanges must be sent. It is recommended that the GLN be used for this purpose.

Note DE 0014:

The routing address is used to identify the receiver, if a provider adds service values for the actual receiver (e.g. consolidated companies, corporate group). The use of the identification system (e.g. GLN) has to be agreed bilaterally.

Note DE 0020:

This data element must contain a consistent sequential number per interchange between sender and receiver of the transmission.

Note DE 0032: This data element is used to identify any underlying agreements which control the exchange of data. Within EANCOM, the identity of such agreements must start with the letters 'EANCOM', the remaining characters within the data element being filled according to bilateral agreements.

Example:

```
0      UNB+UNOC:3+4012345000009:14:4012345000018+4000004000002:14:4000004000099+101013:1
      43+4711+REF:AA++++EANCOM+1'
      The EANCOM file 4711 dated 13.10.2010, 10 h 43 is sent by the issuer identified with GLN
      4012345000009 to the receiver identified with GLN 4000004000002.
```

6. Segments Layout

Heading section

Segment number: 3

UNH - M 1 - Message header						
Description: To head, identify and specify a message.						
Business Term	DE	EDIFACT	EAN	*	GER	Description
Message reference number	0062	M an..14	M			Senders unique message reference. Sequence number of the messages in the interchange. DE 0062 in the UNT will be identical. Sender generated.
	S009	M	M			
	0065	M an..6	M	*		RETINS = Instruction for returns message
	0052	M an..3	M	*		D = Draft version/UN/EDIFACT Directory
	0054	M an..3	M	*		01B = Release 2001 - B
	0051	M an..2	M	*		UN = UN/CEFACT
	0057	C an..6	R	*		EAN003 = GS1 version control number (GS1 Code)
Segment notes: Segmentstatus: Mandatory This segment is used to head, identify and specify a message. DE's 0065, 0052, and 0054: Indicate that the message is a UNSM Instruction For Returns message based on the D.01B directory. Example: UNH+ME0001+RETINS:D:01B:UN:EAN003' The reference number of the RETINS message is ME0001.						

6. Segments Layout

Heading section

Segment number: 4

BGM - M 1 - Beginning of message						
Description: To indicate the type and function of a message and to transmit the identifying number.						
Business Term	DE	EDIFACT	EAN	*	GER	Description
	C002	C	R			
	1001	C an..3	R	*		71E = Instruction for returns (GS1 Code)
	1131	C an..17	N			
	3055	C an..3	R	*		9 = GS1
Process variant, coded	1000	C an..35	O			This data element indicates the variante of the process model textile: ../04-2-2.pdf
	C106	C	R			
Document number	1004	C an..35	R			Instruction for returns number assigned by the document sender.
	1225	C an..3	R	*		9 = Original
Segment notes: Segmentstatus: Mandatory This segment is used to indicate the type and function of a message and to transmit the identifying number. All references other than the document number DE 1004 are to be put in the RFF segment. Example: BGM+71E::9+87441+9' The document number is 87441.						

6. Segments Layout

Heading section

Segment number: 5

DTM - C 9 - Date/time/period						
Description: To specify date, and/or time, or period.						
Business Term	DE	EDIFACT	EAN	*	GER	Description
	C507	M	M			
	2005	M an..3	M	*		137 = Document/message date/time
Creation date	2380	C an..35	R			
	2379	C an..3	R			102 = CCYYMMDD 203 = CCYYMMDDHHMM
Segment notes: Segmentstatus: Mandatory Identification of the 'Document/message date/time' (code value 137) is mandatory in the invoice message. Example: DTM+137:20081209:102' The message was created on 09.12.2008.						

6. Segments Layout

Heading section

Segment number: 6

DTM - C 9 - Date/time/period						
Description: To specify date, and/or time, or period.						
Business Term	DE	EDIFACT	EAN	*	GER	Description
	C507	M	M			
	2005	M an..3	M	*		2 = Delivery date/time, requested
Delivery date, requested	2380	C an..35	R			
	2379	C an..3	R			102 = CCYYMMDD 203 = CCYYMMDDHHMM
Segment notes: Segmentstatus: Depending, either delivery or pick up date must be indicated. This segment is used to specify, where required, requested dates concerning the delivery of goods. DE 2005 = 2, Date on which buyer requests goods to be delivered. Example: DTM+2:20031028:102' Requested delivery date is 28.10.2003.						

6. Segments Layout

Heading section

Segment number: 7

DTM - C 9 - Date/time/period						
Description: To specify date, and/or time, or period.						
Business Term	DE	EDIFACT	EAN	*	GER	Description
	C507	M	M			
	2005	M an..3	M	*		200 = Pick-up/collection date/time of cargo
Pick-up date	2380	C an..35	R			
	2379	C an..3	R			102 = CCYYMMDD 203 = CCYYMMDDHHMM
Segment notes: Segmentstatus: Depending, either delivery or pick up date must be indicated. DTM segment is used specify date, and/or time, or period. This segment is used to specify, where required, requested dates concerning the delivery/pick up of the goods. Example: DTM+200:20031026:102' This example requires the pick up of consignment on 26.10.2003.						

6. Segments Layout

Heading section

Segment number: 8

DTM - C 9 - Date/time/period						
Description: To specify date, and/or time, or period.						
Business Term	DE	EDIFACT	EAN	*	GER	Description
	C507	M	M			
	2005	M an..3	M	*		557 = Returned date
Return date	2380	C an..35	R			
	2379	C an..3	R			102 = CCYYMMDD 203 = CCYYMMDDHHMM 718 = CCYYMMDD-CCYYMMDD Format of period to be given in actual message without hyphen.
Segment notes:						
Segmentstatus: Optional						
This segment is used by the supplier to specify the return date.						
Example: DTM+557:20031028:102' Latest return date is 28.10.2003.						

6. Segments Layout

Heading section

Segment number: 9

SG2	- C	9 - RFF-DTM			
RFF	- M	1 - Reference			
Description: To specify a reference.					
Business Term	DE	EDIFACT	EAN *	GER	Description
	C506	M	M		
	1153	M an..3	M		ALQ = Returns notice number
Number of announcement for returns	1154	C an..70	R		
Segment notes: Segmentstatus: Conditional This segment can contain a reference to number of a announcement for returns Example: RFF+ALQ:4711' The message references to the number 4711 of a announcement for returns.					

6. Segments Layout

Heading section

Segment number: 10

SG2	- C	9 - RFF-DTM				
DTM	- C	9 - Date/time/period				
Description: To specify date, and/or time, or period.						
Business Term	DE	EDIFACT	EAN	*	GER	Description
	C507	M	M			
	2005	M an..3	M	*		171 = Reference date/time
Date of announcement for returns	2380	C an..35	R			
	2379	C an..3	R			102 = CCYYMMDD
Segment notes: Segmentstatus: Conditional						
This segment is used to specify any dates related to the references given in the previous RFF segment.						
Example: DTM+171:20030301:102' The announcement for returns is dated 01.03.2003						

6. Segments Layout

Heading section

Segment number: 11

SG2	- C	9 - RFF				
RFF	- M	1 - Reference				
Description: To specify a reference.						
Business Term	DE	EDIFACT	EAN	*	GER	Description
	C506	M	M			
	1153	M an..3	M			AAK = Despatch advice number
Despatch advice	1154	C an..70	R			
Segment notes: Segmentstatus: Conditional This segment is used to specify any references valid for the complete instructions for returns message. This segment is used to reference the despatch advice number (DESADV). Example: RFF+AAK:4710' The message references to despatch advice number 4710.						

6. Segments Layout

Heading section

Segment number: 12

SG2	- C	9 - RFF				
RFF	- M	1 - Reference				
Description: To specify a reference.						
Business Term	DE	EDIFACT	EAN	*	GER	Description
	C506	M	M			
	1153	M an..3	M			DQ = Delivery note number
Delivery note	1154	C an..70	R			
Segment notes: Segmentstatus: Conditional This segment can be used to reference the delivery note number. Example: RFF+DQ:4714' The message references to delivery note number 4714.						

6. Segments Layout

Heading section

Segment number: 13

SG3	- C	9 - NAD-SG4				
NAD	- M	1 - Name and address				
Description:						
To specify the name/address and their related function, either by C082 only and/or unstructured by C058 or structured by C080 thru 3207.						
Business Term	DE	EDIFACT	EAN	*	GER	Description
	3035	M an..3	M			SU = Supplier
	C082	C	A			
Identification of supplier	3039	M an..35	M			Global Location Number (GLN) - Format n13
	1131	C an..17	N			
	3055	C an..3	R	*		9 = GS1
	C058	C	O			This composite may only be used to fulfill the requirements of directive 2003/58/EG, article 4. If applicable the message sender gets the possibility to give the relevant statements at this place. If C058 ist not sufficient, more declaration can be given in following RFF+GN... segments.
	3124	M an..35	M			
	3124	C an..35	O			
	3124	C an..35	O			
	3124	C an..35	O			
	3124	C an..35	O			
Segment notes:						
Segmentstatus: Mandatory						
Within EANCOM it is mandatory to identify the supplier/manufacturer by Global Location Number (GLN).						
Example: NAD+SU+4012345000009::9'						
The supplier/manufacturer is identified by Global Location Number (GLN) 4012345000009.						

6. Segments Layout

Heading section

Segment number: 14

SG3	- C	9 - NAD-SG4				
SG4	- C	9 - RFF				
RFF	- M	1 - Reference				
Description: To specify a reference.						
Business Term	DE	EDIFACT	EAN	*	GER	Description
	C506	M	M			
	1153	M an..3	M			GN = Government reference number
Statements on business letters	1154	C an..70	R			
Segment notes: Segmentstatus: Depending						
This RFF segment may only be used if the preceeding NAD has not enough space to fulfill the requirements of directive 2003/58/EG, article 4.						
Example: RFF+GN:HRB-471111' German statements on business letters: HRB-471111						

6. Segments Layout

Heading section

Segment number: 15

SG3	- C	9 - NAD				
NAD	- M	1 - Name and address				
Description:						
To specify the name/address and their related function, either by C082 only and/or unstructured by C058 or structured by C080 thru 3207.						
Business Term	DE	EDIFACT	EAN	*	GER	Description
	3035	M an..3	M			BY = Buyer
	C082	C	A			
Identification of buyer	3039	M an..35	M			Global Location Number (GLN) - Format n13
	1131	C an..17	N			
	3055	C an..3	R	*		9 = GS1
	C058	C	O		N	
	3124	M an..35	N			
	3124	C an..35	N			
	3124	C an..35	N			
	3124	C an..35	N			
	3124	C an..35	N			
Segment notes:						
Segmentstatus: Mandatory						
Within EANCOM it is mandatory to identify the buyer by Global Location Number (GLN).						
Example: NAD+BY+4398765000004:::9' The buyer is identified with the Global Location Number (GLN) 4398765000004.						

6. Segments Layout

Heading section

Segment number: 16

SG6	- C	99 - CDI				
CDI	- M	1 - Physical or logical state				
Description:						
To describe a physical or logical state.						
Business Term	DE	EDIFACT	EAN	*	GER	Description
	7001	M an..3	M			2 = Upon despatch
	C564	M	M			
Reasons for return, code	7007	C an..3	A			AC = Over-shipped AG = Delivered too late ALP = Change of fixed retail price AT = Item not ordered DME = Damaged FLG = Wrong delivery VEV = according contract X39 = Goods technical failings (inclusive misprints)
	1131	C an..17	O			MEDIA (fix value)
	3055	C an..3	D			246 = GS1 Germany
	7006	C an..70	O			
Segment notes:						
Segmentstatus: Conditional						
This segment is used to indicate conditions specified by the message sender concerning the return or otherwise of all the goods detailed in the message.						
Example:						
Example: CDI+2+VEV:MEDIA:246' According to contractual conditions all of the goods detailed in the message should be returned.						

6. Segments Layout

Heading section

Segment number: 17

SG6	- C	99 - CDI-DTM				
CDI	- M	1 - Physical or logical state				
Description: To describe a physical or logical state.						
Business Term	DE	EDIFACT	EAN	*	GER	Description
	7001	M an..3	M			3E = Upon return (GS1 Code)
	C564	M	M			
Instruction for return, code	7007	C an..3	A			12E = Return goods (GS1 Code) 13E = Dispose of goods (GS1 Code) 14E = Destroy goods (GS1 Code) 17E = Return refused (GS1 Code) TBZ = Send back title page
	1131	C an..17	O			
	3055	C an..3	D			9 = GS1 246 = GS1 Germany If code TBZ is used in DE7007 the indication of code 246 is required
	7006	C an..70	O			
Segment notes: Segmentstatus: Conditional						
This segment is used to indicate conditions specified by the message sender concerning the return or otherwise of all the goods detailed in the message.						
Example: Example: CDI+3E+12E::9' All of the goods detailed in the message should be returned.						

6. Segments Layout

Heading section

Segment number: 18

SG6	- C	99 - CDI-DTM			
DTM	- C	9 - Date/time/period			
Description: To specify date, and/or time, or period.					
Business Term	DE	EDIFACT	EAN *	GER	Description
	C507	M	M		
	2005	M an..3	M		234 = Collection date/time, earliest 235 = Collection date/time, latest 557 = Returned date
Instruction for return, date	2380	C an..35	R		
	2379	C an..3	R		102 = CCYYMMDD 203 = CCYYMMDDHHMM
Segment notes: Segmentstatus: Conditional This segment is used to specify dates relevant to the returns conditions and instructions provided in the CDI and INS segments for the entire message. Example: Example: DTM+557:20080505:102' The return is dated for the 05th of Mai 2008.					

6. Segments Layout

Detail section

Segment number: 19

SG11	- M	9999	- LIN-PIA-QTY-LOC-MOA-SG13-SG18			
LIN	- M	1	- Line item			
Description:						
To identify a line item and configuration.						
Business Term	DE	EDIFACT	EAN	*	GER	Description
Line item number	1082	C an..6	R			Application generated line item number
	1229	C an..3	N			
	C212	C	D			
GTIN	7140	C an..35	R			GTIN, Format n..14
	7143	C an..3	R	*		SRV = GS1 Global Trade Item Number
Segment notes:						
Segmentstatus: Mandatory						
The LIN-segment is used to specify the item being ordered. In this segment the GTIN is indicated as item identification.						
The detail section always starts with the LIN-segment.						
Example: LIN+3++4000004000035:SRV' The item instructed for return with the item number 3 is identified by GTIN 4000004000035.						

6. Segments Layout

Detail section

Segment number: 20

SG11	- M	9999	- LIN-PIA-QTY-LOC-MOA-SG13-SG18			
PIA	- C	9	- Additional product id			
Description:						
To specify additional or substitutional item identification codes.						
Business Term	DE	EDIFACT	EAN	*	GER	Description
	4347	M an..3	M	*		5 = Product identification
	C212	M	M			
Supplier's article number	7140	C an..35	R			
	7143	C an..3	R			SA = Supplier's article number
	1131	C an..17	O		N	
	3055	C an..3	D		R	91 = Assigned by supplier or supplier's agent
Segment notes:						
Segmentstatus: Mandatory, if LIN segment does not provide a GTIN, otherwise segment is not used.						
This segment is only used, if LIN segment does not provide a GTIN. Then it must follow the LIN segment immediately. In this case LIN segment (mandatory) only provides the line item number. Identification of the article is done by use of the suppliers article number in this PIA segment, DE 4347 is filled with "5" for primary identification.						
Book:						
ISBN10 or the suppliers article number can be used as primary identification. The application of both numbering systems at the same time is not allowed, if DE 4347 filled with "5" for primary identification is used.						
Example: PIA+5+ABC5343:SA::91'						
Only if LIN does not provide a GTIN: Item identification in PIA						

6. Segments Layout

Detail section

Segment number: 21

SG11	- M	9999	- LIN-PIA-QTY-LOC-MOA-SG13-SG18			
QTY	- C	9	- Quantity			
Description: To specify a pertinent quantity.						
Business Term	DE	EDIFACT	EAN	*	GER	Description
	C186	M	M			
	6063	M an..3	M	*		445 = Return to the manufacturer
Return quantity	6060	M an..35	M			Use only numeric values.
Unit of measurement	6411	C an..3	D			KGM = kilogram MTR = metre LTR = litre All code values of the codes list are allowed
Segment notes:						
Segmentstatus: Mandatory						
The QTY segment is used to specify the return quantity for the current line item, which was identified in the LIN segment.						
DE 6411 is only used, if the article is a variable quantity article. Default value is piece.						
Example: QTY+445:20' The return quantity amounts to 20 pieces of the article no. described in the LIN segment. (GTIN).						

6. Segments Layout

Detail section

Segment number: 22

SG11	- M	9999	- LIN-PIA-QTY-LOC-MOA-SG13-SG18
LOC	- C	9	- Place/location identification
Description: To identify a place or a location and/or related locations.			
Business Term	DE	EDIFACT	EAN * GER Description
	3227	M an..3	M 14 = Location of goods
	C517	C	A
Location of goods	3225	C an..25	A Global Location Number (GLN)- Format n13
	1131	C an..17	O
	3055	C an..3	D 9 = GS1
Segment notes: Segmentstatus: Conditional This segment is used to identify locations relevant to the current line item. When identifying locations it is recommended to use Global Location Number GLN. Example: LOC+14+4056786542381::9' The goods are at the location with GLN 4056786542381			

6. Segments Layout

Detail section

Segment number: 23

SG11	- M	9999	- LIN-PIA-QTY-LOC-MOA-SG13-SG18			
MOA	- C	9	- Monetary amount			
Description: To specify a monetary amount.						
Business Term	DE	EDIFACT	EAN	*	GER	Description
	C516	M	M			
	5025	M an..3	M			203 = Line item amount
Line item amount	5004	C n..35	R			
Currency	6345	C an..3	O			EUR = Euro ISO 4217 three alpha
Segment notes: Segmentstatus: Conditional This segment provides the line item amount. Example: MOA+203:108.13:EUR' The line item amount is 108.13 EURO.						

6. Segments Layout

Detail section

Segment number: 24

SG11	- M	9999	- LIN-PIA-QTY-LOC-MOA-SG13-SG18			
SG13	- C	9	- RFF-DTM			
RFF	- M	1	- Reference			
Description:						
To specify a reference.						
Business Term	DE	EDIFACT	EAN	*	GER	Description
	C506	M	M			
	1153	M an..3	M			ALQ = Returns notice number
Number of announcement for returns	1154	C an..70	R			
Segment notes:						
Segmentstatus: Conditional						
This segment can contain a reference to number of a announcement for returns						
Example: RFF+ALQ:4711'						
The current line item references to the number 4711 of a announcement for returns.						

6. Segments Layout

Heading section

Segment number: 25

SG11	- M	9999	- LIN-PIA-QTY-LOC-MOA-SG13-SG18			
SG13	- C	9	- RFF-DTM			
DTM	- C	9	- Date/time/period			
Description:						
To specify date, and/or time, or period.						
Business Term	DE	EDIFACT	EAN	*	GER	Description
	C507	M	M			
	2005	M an..3	M	*		171 = Reference date/time
Date of announcement for returns	2380	C an..35	R			
	2379	C an..3	R			102 = CCYYMMDD
Segment notes:						
Segmentstatus: Conditional						
This segment is used to specify any dates related to the references given in the previous RFF segment.						
Example: DTM+171:20030301:102'						
The announcement for returns for the current line item is dated 01.03.2003						

6. Segments Layout

Detail section

Segment number: 26

SG11	- M	9999	- LIN-PIA-QTY-LOC-MOA-SG13-SG18			
SG13	- C	9	- RFF			
RFF	- M	1	- Reference			
Description:						
To specify a reference.						
Business Term	DE	EDIFACT	EAN	*	GER	Description
	C506	M	M			
	1153	M an..3	M			AAK = Despatch advice number
Despatch advice	1154	C an..70	R			
Segment notes:						
Segmentstatus: Conditional						
This segment is used to specify any references valid for the current line item of the instruction for returns message.						
This segment is used to reference the despatch advice number (DESADV).						
Example: RFF+AAK:4710'						
The current line item references to despatch advice number 4710.						

6. Segments Layout

Detail section

Segment number: 27

SG11	- M	9999	- LIN-PIA-QTY-LOC-MOA-SG13-SG18			
SG13	- C	9	- RFF			
RFF	- M	1	- Reference			
Description:						
To specify a reference.						
Business Term	DE	EDIFACT	EAN	*	GER	Description
	C506	M	M			
	1153	M an..3	M			DQ = Delivery note number
Delivery note	1154	C an..70	R			
Segment notes:						
Segmentstatus: Conditional						
This segment can be used to reference the delivery note number.						
Example: RFF+DQ:4714'						
The current line item references to delivery note number 4714.						

6. Segments Layout

Detail section

Segment number: 28

SG11	- M	9999	- LIN-PIA-QTY-LOC-MOA-SG13-SG18
SG18	- C	99	- CDI
CDI	- M	1	- Physical or logical state
Description: To describe a physical or logical state.			
Business Term	DE	EDIFACT	EAN * GER Description
	7001	M an..3	M 2 = Upon despatch
	C564	M	M
Reasons for return, code	7007	C an..3	A AC = Over-shipped AG = Delivered too late ALP = Change of fixed retail price AT = Item not ordered DME = Damaged FLG = Wrong delivery VEV = according contract X39 = Goods technical failings (inclusive misprints)
	1131	C an..17	O MEDIA (fix value)
	3055	C an..3	D 246 = GS1 Germany
	7006	C an..70	O
Segment notes: Segmentstatus: Conditional			
This segment is used to indicate conditions (actions) requested by the message sender for the current line item. Example: CDI+2+VEV:MEDIA:246' According to contractual conditions the goods of the current line item should be returned.			

6. Segments Layout

Detail section

Segment number: 29

SG11	- M	9999	- LIN-PIA-QTY-LOC-MOA-SG13-SG18
SG18	- C	99	- CDI-DTM
CDI	- M	1	- Physical or logical state
Description: To describe a physical or logical state.			
Business Term	DE	EDIFACT	EAN * GER Description
	7001	M an..3	M 2 = Upon despatch
	C564	M	M
Instruction for return, code	7007	C an..3	A 12E = Return goods (GS1 Code) 13E = Dispose of goods (GS1 Code) 14E = Destroy goods (GS1 Code) 17E = Return refused (GS1 Code) TBZ = Send back title page
	1131	C an..17	O
	3055	C an..3	D 9 = GS1 246 = GS1 Germany If code TBZ is used in DE7007 the indication of code 246 is required
	7006	C an..70	O
Segment notes: Segmentstatus: Conditional			
This segment is used to indicate conditions (actions) requested by the message sender for the current line item. Example: CDI+3E+12E::9' Goods of the current line item should be returned.			

6. Segments Layout

Detail section

Segment number: 30

SG11	- M	9999	- LIN-PIA-QTY-LOC-MOA-SG13-SG18			
SG18	- C	99	- CDI-DTM			
DTM	- C	9	- Date/time/period			
Description:						
To specify date, and/or time, or period.						
Business Term	DE	EDIFACT	EAN	*	GER	Description
	C507	M	M			
	2005	M an..3	M			234 = Collection date/time, earliest 235 = Collection date/time, latest 557 = Returned date
	2380	C an..35	R			
	2379	C an..3	R			102 = CCYYMMDD 203 = CCYYMMDDHHMM
Segment notes:						
Segmentstatus: Conditional						
This segment is used to specify dates relevant to the returns conditions and instructions provided in the CDI valid for the current line item only.						
Example: DTM+557:20080505:102' The return is dated for the 05th of Mai 2008.						

6. Segments Layout

Summen-Teil
End of the message
Segment number: 31

UNT - M 1 - Message trailer						
Description: To end and check the completeness of a message.						
Business Term	DE	EDIFACT	EAN	*	GER	Description
Number of segments within a message	0074	M n..6	M			The total number of segments in the message is detailed here.
	0062	M an..14	M			The reference number from the UNH segment must be repeated here Same contents as DE 0062 in the UNH segment
Segment notes: Segmentstatus: Mandatory This segment is a mandatory UN/EDIFACT segment. It must always be the last segment in the message. Example: UNT+23+ME0001' Number of segments in the message.						

6. Segments Layout

Segment number: 32

UNZ - M 1 - Interchange trailer					
Description: To end and check the completeness of an interchange.					
Business Term	DE	EDIFACT	EAN *	GER	Description
End of the transmission file, Number of messages or message groups	0036	M n..6	M		Number of messages or message groups in the transmission file.
Interchange control reference, end	0020	M an..14	M		Interchange control reference, identical with UNB DE 0020.
Segment notes: The UNZ segment is the last segment of the transmission file. Note DE 0036: If functional groups are not used, this is the number of messages within the interchange. Example: UNZ+1+4711' The transmission file contains 1 message.					

7. EANCOM® Segments Layout

Segment number: 1

UNA - C 1 - Service string advice		EDIFACT	EAN	*	GER	Description:
Description: To define the characters selected for use as delimiters and indicators in the rest of the interchange that follows.						
UNA1	Component data element separator	M an1	M			Component data element separator Default value: ":"
UNA2	Data element separator	M an1	M			Data element separator Default value: "+"
UNA3	Decimal notation	M an1	M			Decimal notation Default value: "."
UNA4	Release indicator	M an1	M			Release character Default value: "?"
UNA5	Reserved for future use	M an1	M			Reserved for future use (Default value: space)
UNA6	Segment terminator	M an1	M			Segment terminator Default value: "' "
Segment notes: The use of the UNA segment is mandatory, if character set "A" (UNB,DE0001) is not used. For international EDI the use of character set UNOA is recommended. For national (German) EDI the use of UNOC is reasonable because it contains lower case letters and umlauts. Example: UNA:+.? ' The UNA segment contains the default service string characters.						

7. EANCOM® Segments Layout

Segment number: 2

UNB - M 1 - Interchange header						
Description: To start, identify and specify an interchange.						
		EDIFACT	EAN	*	GER	Description:
S001	SYNTAX IDENTIFIER	M	M			
0001	Syntax identifier	M a4	M			Character set UNOA = UN/ECE level A UNOB = UN/ECE level B UNOC = UN/ECE level C UNOD = UN/ECE level D UNOE = UN/ECE level E UNOF = UN/ECE level F
0002	Syntax version number	M n1	M			Syntax version 3 = Version 3
S002	INTERCHANGE SENDER	M	M			
0004	Sender identification	M an..35	M			Identification of the sender of the transmission file = Global Location Number (GLN)
0007	Partner identification code qualifier	C an..4	R			14 = GS1
0008	Address for reverse routing	C an..14	O			Address for reverse routing See note
S003	INTERCHANGE RECIPIENT	M	M			
0010	Recipient identification	M an..35	M			Identification of the receiver of the transmission file = Global Location Number (GLN)
0007	Partner identification code qualifier	C an..4	R			14 = GS1
0014	Routing address	C an..14	O			Routing address See note
S004	DATE/TIME OF PREPARATION	M	M			
0017	Date of preparation	M n6	M			File creation date = Dateformat JJMMTT
0019	Time of preparation	M n4	M			File creation time = Timeformat HHMM
0020	Interchange control reference	M an..14	M			Interchange control reference, beginnig = Unique senders reference
S005	RECIPIENT'S REFERENCE, PASSWORD	C	O			
0022	Recipient's reference/ password	M an..14	M			Password interchange
0025	Recipient's reference/ password qualifier	C an2	O			AA = Reference BB = Password
0026	Application reference	C an..14	O			Application reference Message type if the transmission fole contains only one message type
0029	Processing priority code	C a1	O			A = Highest priority
0031	Acknowledgement request	C n1	O			Acknowledgement request
	Communications agreement					EANCOM

7. EANCOM® Segments Layout

Segment number: 2

	EDIFACT	EAN	*	GER	Description:
0032 ID	C an..35	O		R	= EANCOM... EDIFACT subset identification (see note)
0035 Test indicator	C n1	O			Test indicator 1 = Interchange is a test

Segment notes:

This segment is used to envelope the interchange, as well as to identify both, the party to whom the interchange is sent and the party who has sent the interchange.

For international EDI the use of character set UNOA is recommended. For national (German) EDI the use of UNOC is reasonable because it contains lower case letters and umlauts.

Note DE 0008:

The address for reverse routing is provided by the interchange sender to inform the interchange recipient of the address within the sender's (source) system to which responding interchanges must be sent. It is recommended that the GLN be used for this purpose.

Note DE 0014:

The routing address is used to identify the receiver, if a provider adds service values for the actual receiver (e.g. consolidated companies, corporate group). The use of the identification system (e.g. GLN) has to be agreed bilaterally.

Note DE 0020:

This data element must contain a consistent sequential number per interchange between sender and receiver of the transmission.

Note DE 0032: This data element is used to identify any underlying agreements which control the exchange of data. Within EANCOM, the identity of such agreements must start with the letters 'EANCOM', the remaining characters within the data element being filled according to bilateral agreements.

Example:

4 UNB+UNOC:3+4012345000009:14:4012345000018+4000004000002:14:4000004000099+101013:10
3+4711+REF:AA++++EANCOM+1'
The EANCOM file 4711 dated 13.10.2010, 10 h 43 is sent by the issuer identified with GLN 4012345000009 to the receiver identified with GLN 4000004000002.

7. EANCOM® Segments Layout

Heading section

Segment number: 3

UNH - M 1 - Message header						
Description:						
To head, identify and specify a message.						
		EDIFACT	EAN	*	GER	Description:
0062	Message reference number	M an..14	M			Message reference number Sends unique message reference. Sequence number of the messages in the interchange. DE 0062 in the UNT will be identical. Sender generated.
S009	MESSAGE IDENTIFIER	M	M			
0065	Message type	M an..6	M	*		RETINS = Instruction for returns message
0052	Message version number	M an..3	M	*		D = Draft version/UN/EDIFACT Directory
0054	Message release number	M an..3	M	*		01B = Release 2001 - B
0051	Controlling agency	M an..2	M	*		UN = UN/CEFACT
0057	Association assigned code	C an..6	R	*		EAN003 = GS1 version control number (GS1 Code)
Segment notes:						
Segmentstatus: Mandatory						
This segment is used to head, identify and specify a message. DE's 0065, 0052, and 0054: Indicate that the message is a UNSM Instruction For Returns message based on the D.01B directory.						
Example: UNH+ME0001+RETINS:D:01B:UN:EAN003' The reference number of the RETINS message is ME0001.						

7. EANCOM® Segments Layout

Heading section

Segment number: 4

BGM - M 1 - Beginning of message						
Description:						
To indicate the type and function of a message and to transmit the identifying number.						
		EDIFACT	EAN	*	GER	Description:
C002	DOCUMENT/MESSAGE NAME	C	R			
1001	Document name code	C an..3	R	*		71E = Instruction for returns (GS1 Code)
1131	Code list identification code	C an..17	N			
3055	Code list responsible agency code	C an..3	R	*		9 = GS1
1000	Document name	C an..35	O			This data element indicates the variante of the process model textile: ../04-2-2.pdf Process variant, coded
C106	DOCUMENT/MESSAGE IDENTIFICATION	C	R			
1004	Document identifier	C an..35	R			Document number Instruction for returns number assigned by the document sender.
1225	Message function code	C an..3	R	*		9 = Original
Segment notes:						
Segmentstatus: Mandatory						
This segment is used to indicate the type and function of a message and to transmit the identifying number. All references other than the document number DE 1004 are to be put in the RFF segment.						
Example: BGM+71E::9+87441+9' The document number is 87441.						

7. EANCOM® Segments Layout

Heading section

Segment number: 5

DTM - C 9 - Date/time/period		EDIFACT	EAN	*	GER	Description:
Description: To specify date, and/or time, or period.						
C507	DATE/TIME/PERIOD	M	M			
2005	Date or time or period function code qualifier	M an..3	M	*		137 = Document/message date/time
2380	Date or time or period value	C an..35	R			Creation date
2379	Date or time or period format code	C an..3	R			102 = CCYYMMDD 203 = CCYYMMDDHHMM
Segment notes: Segmentstatus: Mandatory Identification of the 'Document/message date/time' (code value 137) is mandatory in the invoice message. Example: DTM+137:20081209:102' The message was created on 09.12.2008.						

7. EANCOM® Segments Layout

Heading section

Segment number: 6

DTM - C 9 - Date/time/period		EDIFACT	EAN	*	GER	Description:
Description: To specify date, and/or time, or period.						
C507	DATE/TIME/PERIOD	M	M			
2005	Date or time or period function code qualifier	M an..3	M	*		2 = Delivery date/time, requested
2380	Date or time or period value	C an..35	R			Delivery date, requested
2379	Date or time or period format code	C an..3	R			102 = CCYYMMDD 203 = CCYYMMDDHHMM
Segment notes: Segmentstatus: Depending, either delivery or pick up date must be indicated. This segment is used to specify, where required, requested dates concerning the delivery of goods. DE 2005 = 2, Date on which buyer requests goods to be delivered. Example: DTM+2:20031028:102' Requested delivery date is 28.10.2003.						

7. EANCOM® Segments Layout

Heading section

Segment number: 7

DTM - C 9 - Date/time/period		EDIFACT	EAN	*	GER	Description:
Description: To specify date, and/or time, or period.						
C507	DATE/TIME/PERIOD	M	M			
2005	Date or time or period function code qualifier	M an..3	M	*		200 = Pick-up/collection date/time of cargo
2380	Date or time or period value	C an..35	R			Pick-up date
2379	Date or time or period format code	C an..3	R			102 = CCYYMMDD 203 = CCYYMMDDHHMM
Segment notes: Segmentstatus: Depending, either delivery or pick up date must be indicated. DTM segment is used specify date, and/or time, or period. This segment is used to specify, where required, requested dates concerning the delivery/pick up of the goods. Example: DTM+200:20031026:102' This example requires the pick up of consignment on 26.10.2003.						

7. EANCOM® Segments Layout

Heading section

Segment number: 8

DTM - C 9 - Date/time/period		EDIFACT	EAN	*	GER	Description:
Description: To specify date, and/or time, or period.						
C507	DATE/TIME/PERIOD	M	M			
2005	Date or time or period function code qualifier	M an..3	M	*		557 = Returned date
2380	Date or time or period value	C an..35	R			Return date
2379	Date or time or period format code	C an..3	R			102 = CCYYMMDD 203 = CCYYMMDDHHMM 718 = CCYYMMDD-CCYYMMDD Format of period to be given in actual message without hyphen.
Segment notes: Segmentstatus: Optional This segment is used by the supplier to specify the return date. Example: DTM+557:20031028:102' Latest return date is 28.10.2003.						

7. EANCOM® Segments Layout

Heading section

Segment number: 9

SG2	- C	9 - RFF-DTM				
RFF	- M	1 - Reference				
Description: To specify a reference.						
		EDIFACT	EAN	*	GER	Description:
C506	REFERENCE	M	M			
1153	Reference code qualifier	M an..3	M			ALQ = Returns notice number
1154	Reference identifier	C an..70	R			Number of announcement for returns
Segment notes: Segmentstatus: Conditional This segment can contain a reference to number of a announcement for returns Example: RFF+ALQ:4711' The message references to the number 4711 of a announcement for returns.						

7. EANCOM® Segments Layout

Heading section

Segment number: 10

SG2	- C	9 - RFF-DTM				
DTM	- C	9 - Date/time/period				
Description: To specify date, and/or time, or period.						
			EDIFACT	EAN	*	GER
						Description:
C507	DATE/TIME/PERIOD		M	M		
2005	Date or time or period function code qualifier		M an..3	M	*	171 = Reference date/time
2380	Date or time or period value		C an..35	R		Date of announcement for returns
2379	Date or time or period format code		C an..3	R		102 = CCYYMMDD
Segment notes: Segmentstatus: Conditional This segment is used to specify any dates related to the references given in the previous RFF segment. Example: DTM+171:20030301:102' The announcement for returns is dated 01.03.2003						

7. EANCOM® Segments Layout

Heading section

Segment number: 11

SG2	- C	9 - RFF				
RFF	- M	1 - Reference				
Description: To specify a reference.						
		EDIFACT	EAN	*	GER	Description:
C506	REFERENCE	M	M			
1153	Reference code qualifier	M an..3	M			AAK = Despatch advice number
1154	Reference identifier	C an..70	R			Despatch advice
Segment notes: Segmentstatus: Conditional This segment is used to specify any references valid for the complete instructions for returns message. This segment is used to reference the despatch advice number (DESADV). Example: RFF+AAK:4710' The message references to despatch advice number 4710.						

7. EANCOM® Segments Layout

Heading section

Segment number: 12

SG2	- C	9 - RFF				
RFF	- M	1 - Reference				
Description: To specify a reference.						
		EDIFACT	EAN	*	GER	Description:
C506	REFERENCE	M	M			
1153	Reference code qualifier	M an..3	M			DQ = Delivery note number
1154	Reference identifier	C an..70	R			Delivery note
Segment notes: Segmentstatus: Conditional This segment can be used to reference the delivery note number. Example: RFF+DQ:4714' The message references to delivery note number 4714.						

7. EANCOM® Segments Layout

Heading section

Segment number: 13

SG3	- C	9 - NAD-SG4				
NAD	- M	1 - Name and address				
Description:						
To specify the name/address and their related function, either by C082 only and/or unstructured by C058 or structured by C080 thru 3207.						
		EDIFACT	EAN	*	GER	Description:
3035	Party function code qualifier	M an..3	M			SU = Supplier
C082	PARTY IDENTIFICATION DETAILS	C	A			
3039	Party identifier	M an..35	M			Identification of supplier Global Location Number (GLN) - Format n13
1131	Code list identification code	C an..17	N			
3055	Code list responsible agency code	C an..3	R	*		9 = GS1
C058	NAME AND ADDRESS	C	O			This composite may only be used to fulfill the requirements of directive 2003/58/EG, article 4. If applicable the message sender gets the possibility to give the relevant statements at this place. If C058 ist not sufficient, more declaration can be given in following RFF+GN... segments.
3124	Name and address description	M an..35	M			
3124	Name and address description	C an..35	O			
3124	Name and address description	C an..35	O			
3124	Name and address description	C an..35	O			
3124	Name and address description	C an..35	O			
Segment notes:						
Segmentstatus: Mandatory						
Within EANCOM it is mandatory to identify the supplier/manufacturer by Global Location Number (GLN).						
Example: NAD+SU+4012345000009::9'						
The supplier/manufacturer is identified by Global Location Number (GLN) 4012345000009.						

7. EANCOM® Segments Layout

Heading section

Segment number: 14

SG3	- C	9 - NAD-SG4
SG4	- C	9 - RFF
RFF	- M	1 - Reference
Description: To specify a reference.		
	EDIFACT	EAN * GER Description:
C506	REFERENCE	M M
1153	Reference code qualifier	M an..3 M GN = Government reference number
1154	Reference identifier	C an..70 R Statements on business letters
Segment notes: Segmentstatus: Depending This RFF segment may only be used if the preceeding NAD has not enough space to fulfill the requirements of directive 2003/58/EG, article 4. Example: RFF+GN:HRB-471111' German statements on business letters: HRB-471111		

7. EANCOM® Segments Layout

Heading section

Segment number: 15

SG3	- C	9 - NAD				
NAD	- M	1 - Name and address				
Description:						
To specify the name/address and their related function, either by C082 only and/or unstructured by C058 or structured by C080 thru 3207.						
		EDIFACT	EAN	*	GER	Description:
3035	Party function code qualifier	M an..3	M			BY = Buyer
C082	PARTY IDENTIFICATION DETAILS	C	A			
3039	Party identifier	M an..35	M			Identification of buyer Global Location Number (GLN) - Format n13
1131	Code list identification code	C an..17	N			
3055	Code list responsible agency code	C an..3	R	*		9 = GS1
C058	NAME AND ADDRESS	C	O		N	
3124	Name and address description	M an..35	N			
3124	Name and address description	C an..35	N			
3124	Name and address description	C an..35	N			
3124	Name and address description	C an..35	N			
3124	Name and address description	C an..35	N			
Segment notes:						
Segmentstatus: Mandatory						
Within EANCOM it is mandatory to identify the buyer by Global Location Number (GLN).						
Example: NAD+BY+4398765000004::9'						
The buyer is identified with the Global Location Number (GLN) 4398765000004.						

7. EANCOM® Segments Layout

Heading section

Segment number: 16

SG6	- C	99 - CDI				
CDI	- M	1 - Physical or logical state				
Description: To describe a physical or logical state.						
			EDIFACT	EAN	*	GER
7001	Physical or logical state type code qualifier	M an..3		M		
						2 = Upon despatch
C564	PHYSICAL OR LOGICAL STATE INFORMATION	M		M		
7007	Physical or logical state description code	C an..3		A		
						Reasons for return, code AC = Over-shipped AG = Delivered too late ALP = Change of fixed retail price AT = Item not ordered DME = Damaged FLG = Wrong delivery VEV = according contract X39 = Goods technical failings (inclusive misprints)
1131	Code list identification code	C an..17		O		
						MEDIA (fix value)
3055	Code list responsible agency code	C an..3		D		
						246 = GS1 Germany
7006	Physical or logical state description	C an..70		O		
Segment notes: Segmentstatus: Conditional						
This segment is used to indicate conditions specified by the message sender concerning the return or otherwise of all the goods detailed in the message.						
Example: Example: CDI+2+VEV:MEDIA:246' According to contractual conditions all of the goods detailed in the message should be returned.						

7. EANCOM® Segments Layout

Heading section

Segment number: 17

SG6	- C	99 - CDI-DTM				
CDI	- M	1 - Physical or logical state				
Description: To describe a physical or logical state.						
		EDIFACT	EAN	*	GER	Description:
7001	Physical or logical state type code qualifier	M an..3	M			3E = Upon return (GS1 Code)
C564	PHYSICAL OR LOGICAL STATE INFORMATION	M	M			
7007	Physical or logical state description code	C an..3	A			Instruction for return, code 12E = Return goods (GS1 Code) 13E = Dispose of goods (GS1 Code) 14E = Destroy goods (GS1 Code) 17E = Return refused (GS1 Code) TBZ = Send back title page
1131	Code list identification code	C an..17	O			
3055	Code list responsible agency code	C an..3	D			9 = GS1 246 = GS1 Germany If code TBZ is used in DE7007 the indication of code 246 is required
7006	Physical or logical state description	C an..70	O			
Segment notes: Segmentstatus: Conditional						
This segment is used to indicate conditions specified by the message sender concerning the return or otherwise of all the goods detailed in the message.						
Example: Example: CDI+3E+12E::9' All of the goods detailed in the message should be returned.						

7. EANCOM® Segments Layout

Heading section

Segment number: 18

SG6	- C	99 - CDI-DTM				
DTM	- C	9 - Date/time/period				
Description: To specify date, and/or time, or period.						
			EDIFACT	EAN	*	GER
C507	DATE/TIME/PERIOD		M	M		
2005	Date or time or period function code qualifier		M an..3	M		234 = Collection date/time, earliest 235 = Collection date/time, latest 557 = Returned date
2380	Date or time or period value		C an..35	R		Instruction for return, date
2379	Date or time or period format code		C an..3	R		102 = CCYYMMDD 203 = CCYYMMDDHHMM
Segment notes: Segmentstatus: Conditional This segment is used to specify dates relevant to the returns conditions and instructions provided in the CDI and INS segments for the entire message. Example: Example: DTM+557:20080505:102' The return is dated for the 05th of Mai 2008.						

7. EANCOM® Segments Layout

Detail section

Segment number: 19

SG11	- M	9999 - LIN-PIA-QTY-LOC-MOA-SG13-SG18			
LIN	- M	1 - Line item			
Description: To identify a line item and configuration.					
	EDIFACT	EAN	*	GER	Description:
1082	Line item identifier	C an..6	R		Line item number Application generated line item number
1229	Action request/notification description code	C an..3	N		
C212	ITEM NUMBER IDENTIFICATION	C	D		
7140	Item identifier	C an..35	R		GTIN GTIN, Format n..14
7143	Item type identification code	C an..3	R	*	SRV = GS1 Global Trade Item Number
Segment notes: Segmentstatus: Mandatory The LIN-segment is used to specify the item being ordered. In this segment the GTIN is indicated as item identification. The detail section always starts with the LIN-segment. Example: LIN+3++4000004000035:SRV' The item instructed for return with the item number 3 is identified by GTIN 4000004000035.					

7. EANCOM® Segments Layout

Detail section

Segment number: 20

SG11	- M	9999 - LIN-PIA-QTY-LOC-MOA-SG13-SG18				
PIA	- C	9 - Additional product id				
Description: To specify additional or substitutional item identification codes.						
		EDIFACT	EAN	*	GER	Description:
4347	Product identifier code qualifier	M an..3	M	*		5 = Product identification
C212	ITEM NUMBER IDENTIFICATION	M	M			
7140	Item identifier	C an..35	R			Supplier's acticle number
7143	Item type identification code	C an..3	R			SA = Supplier's article number
1131	Code list identification code	C an..17	O		N	
3055	Code list responsible agency code	C an..3	D		R	91 = Assigned by supplier or supplier's agent
Segment notes: Segmentstatus: Mandatory, if LIN segment does not provide a GTIN, otherwise segment is not used. This segment is only used, if LIN segment does not provide a GTIN. Then it must follow the LIN segment immediately. In this case LIN segment (mandatory) only provides the line item number. Identification of the article is done by use of the suppliers article number in this PIA segment, DE 4347 is filled with "5" for primary identification. Book: ISBN10 or the suppliers article number can be used as primary identification. The application of both numbering systems at the same time is not allowed, if DE 4347 filled with "5" for primary identification is used. Example: PIA+5+ABC5343:SA::91' Only if LIN does not provide a GTIN: Item identification in PIA						

7. EANCOM® Segments Layout

Detail section

Segment number: 21

SG11	- M	9999 - LIN-PIA-QTY-LOC-MOA-SG13-SG18				
QTY	- C	9 - Quantity				
Description: To specify a pertinent quantity.						
			EDIFACT	EAN	*	GER
C186	QUANTITY DETAILS		M	M		
6063	Quantity type code qualifier	M an..3	M	M	*	445 = Return to the manufacturer
6060	Quantity	M an..35	M	M		Return quantity Use only numeric values.
6411	Measurement unit code	C an..3	D	D		Unit of measurement KGM = kilogram MTR = metre LTR = litre All code values of the codes list are allowed
Segment notes: Segmentstatus: Mandatory						
The QTY segment is used to specify the return quantity for the current line item, which was identified in the LIN segment.						
DE 6411 is only used, if the article is a variable quantity article. Default value is piece.						
Example: QTY+445:20' The return quantity amounts to 20 pieces of the article no. described in the LIN segment. (GTIN).						

7. EANCOM® Segments Layout

Detail section

Segment number: 22

SG11	- M	9999 - LIN-PIA-QTY-LOC-MOA-SG13-SG18				
LOC	- C	9 - Place/location identification				
Description: To identify a place or a location and/or related locations.						
		EDIFACT	EAN	*	GER	Description:
3227	Location function code qualifier	M an..3	M			14 = Location of goods
C517	LOCATION IDENTIFICATION	C	A			
3225	Location name code	C an..25	A			Location of goods Global Location Number (GLN)- Format n13
1131	Code list identification code	C an..17	O			
3055	Code list responsible agency code	C an..3	D			9 = GS1
Segment notes: Segmentstatus: Conditional This segment is used to identify locations relevant to the current line item. When identifying locations it is recommended to use Global Location Number GLN. Example: LOC+14+4056786542381::9' The goods are at the location with GLN 4056786542381						

7. EANCOM® Segments Layout

Detail section

Segment number: 23

SG11	- M	9999 - LIN-PIA-QTY-LOC-MOA-SG13-SG18				
MOA	- C	9 - Monetary amount				
Description: To specify a monetary amount.						
			EDIFACT	EAN	*	GER
C516	MONETARY AMOUNT		M	M		
5025	Monetary amount type code qualifier	M an..3		M		203 = Line item amount
5004	Monetary amount	C n..35		R		Line item amount
6345	Currency identification code	C an..3		O		EUR = Euro ISO 4217 three alpha Currency
Segment notes: Segmentstatus: Conditional This segment provides the line item amount. Example: MOA+203:108.13:EUR' The line item amount is 108.13 EURO.						

7. EANCOM® Segments Layout

Detail section

Segment number: 24

SG11	- M	9999	- LIN-PIA-QTY-LOC-MOA-SG13-SG18				
SG13	- C	9	- RFF-DTM				
RFF	- M	1	- Reference				
Description: To specify a reference.							
			EDIFACT	EAN	*	GER	Description:
C506	REFERENCE		M	M			
1153	Reference code qualifier		M an..3	M			ALQ = Returns notice number
1154	Reference identifier		C an..70	R			Number of announcement for returns
Segment notes: Segmentstatus: Conditional This segment can contain a reference to number of a announcement for returns Example: RFF+ALQ:4711' The current line item references to the number 4711 of a announcement for returns.							

7. EANCOM® Segments Layout

Heading section

Segment number: 25

SG11	- M	9999 - LIN-PIA-QTY-LOC-MOA-SG13-SG18				
SG13	- C	9 - RFF-DTM				
DTM	- C	9 - Date/time/period				
Description: To specify date, and/or time, or period.						
		EDIFACT	EAN	*	GER	Description:
C507	DATE/TIME/PERIOD	M	M			
2005	Date or time or period function code qualifier	M an..3	M	*		171 = Reference date/time
2380	Date or time or period value	C an..35	R			Date of announcement for returns
2379	Date or time or period format code	C an..3	R			102 = CCYYMMDD
Segment notes: Segmentstatus: Conditional This segment is used to specify any dates related to the references given in the previous RFF segment. Example: DTM+171:20030301:102' The announcement for returns for the current line item is dated 01.03.2003						

7. EANCOM® Segments Layout

Detail section

Segment number: 26

SG11	- M	9999 - LIN-PIA-QTY-LOC-MOA-SG13-SG18
SG13	- C	9 - RFF
RFF	- M	1 - Reference
Description: To specify a reference.		
	EDIFACT	EAN * GER Description:
C506	REFERENCE	M M
1153	Reference code qualifier	M an..3 M AAK = Despatch advice number
1154	Reference identifier	C an..70 R Despatch advice
Segment notes: Segmentstatus: Conditional This segment is used to specify any references valid for the current line item of the instruction for returns message. This segment is used to reference the despatch advice number (DESADV). Example: RFF+AAK:4710' The current line item references to despatch advice number 4710.		

7. EANCOM® Segments Layout

Detail section

Segment number: 27

SG11	- M	9999 - LIN-PIA-QTY-LOC-MOA-SG13-SG18
SG13	- C	9 - RFF
RFF	- M	1 - Reference
Description: To specify a reference.		
	EDIFACT	EAN * GER Description:
C506	REFERENCE	M M
1153	Reference code qualifier	M an..3 M DQ = Delivery note number
1154	Reference identifier	C an..70 R Delivery note
Segment notes: Segmentstatus: Conditional This segment can be used to reference the delivery note number. Example: RFF+DQ:4714' The current line item references to delivery note number 4714.		

7. EANCOM® Segments Layout

Detail section

Segment number: 28

SG11	- M	9999 - LIN-PIA-QTY-LOC-MOA-SG13-SG18				
SG18	- C	99 - CDI				
CDI	- M	1 - Physical or logical state				
Description: To describe a physical or logical state.						
		EDIFACT	EAN	*	GER	Description:
7001	Physical or logical state type code qualifier	M an..3	M			2 = Upon despatch
C564	PHYSICAL OR LOGICAL STATE INFORMATION	M	M			
7007	Physical or logical state description code	C an..3	A			Reasons for return, code AC = Over-shipped AG = Delivered too late ALP = Change of fixed retail price AT = Item not ordered DME = Damaged FLG = Wrong delivery VEV = according contract X39 = Goods technical failings (inclusive misprints)
1131	Code list identification code	C an..17	O			MEDIA (fix value)
3055	Code list responsible agency code	C an..3	D			246 = GS1 Germany
7006	Physical or logical state description	C an..70	O			
Segment notes: Segmentstatus: Conditional						
This segment is used to indicate conditions (actions) requested by the message sender for the current line item. Example: CDI+2+VEV:MEDIA:246' According to contractual conditions the goods of the current line item should be returned.						

7. EANCOM® Segments Layout

Detail section

Segment number: 29

SG11	- M	9999 - LIN-PIA-QTY-LOC-MOA-SG13-SG18				
SG18	- C	99 - CDI-DTM				
CDI	- M	1 - Physical or logical state				
Description: To describe a physical or logical state.						
		EDIFACT	EAN	*	GER	Description:
7001	Physical or logical state type code qualifier	M an..3	M			2 = Upon despatch
C564	PHYSICAL OR LOGICAL STATE INFORMATION	M	M			
7007	Physical or logical state description code	C an..3	A			12E = Return goods (GS1 Code) 13E = Dispose of goods (GS1 Code) 14E = Destroy goods (GS1 Code) 17E = Return refused (GS1 Code) Instruction for return, code TBZ = Send back title page
1131	Code list identification code	C an..17	O			
3055	Code list responsible agency code	C an..3	D			9 = GS1 246 = GS1 Germany If code TBZ is used in DE7007 the indication of code 246 is required
7006	Physical or logical state description	C an..70	O			
Segment notes: Segmentstatus: Conditional						
This segment is used to indicate conditions (actions) requested by the message sender for the current line item. Example: CDI+3E+12E::9' Goods of the current line item should be returned.						

7. EANCOM® Segments Layout

Detail section

Segment number: 30

SG11	- M	9999 - LIN-PIA-QTY-LOC-MOA-SG13-SG18				
SG18	- C	99 - CDI-DTM				
DTM	- C	9 - Date/time/period				
Description: To specify date, and/or time, or period.						
		EDIFACT	EAN	*	GER	Description:
C507	DATE/TIME/PERIOD	M	M			
2005	Date or time or period function code qualifier	M an..3	M			234 = Collection date/time, earliest 235 = Collection date/time, latest 557 = Returned date
2380	Date or time or period value	C an..35	R			
2379	Date or time or period format code	C an..3	R			102 = CCYYMMDD 203 = CCYYMMDDHHMM
Segment notes: Segmentstatus: Conditional This segment is used to specify dates relevant to the returns conditions and instructions provided in the CDI valid for the current line item only. Example: DTM+557:20080505:102' The return is dated for the 05th of Mai 2008.						

7. EANCOM® Segments Layout

Summen-TeilEnd of the message

Segment number: 31

UNT - M 1 - Message trailer						
Description: To end and check the completeness of a message.						
		EDIFACT	EAN	*	GER	Description:
0074	Number of segments in the message	M n..6	M			Number of segments within a message The total number of segments in the message is detailed here.
0062	Message reference number	M an..14	M			The reference number from the UNH segment must be repeated here Same contents as DE 0062 in the UNH segment
Segment notes: Segmentstatus: Mandatory This segment is a mandatory UN/EDIFACT segment. It must always be the last segment in the message. Example: UNT+23+ME0001' Number of segments in the message.						

7. EANCOM® Segments Layout

Segment number: 32

UNZ - M 1 - Interchange trailer						
Description: To end and check the completeness of an interchange.						
		EDIFACT	EAN	*	GER	Description:
0036	Interchange control count	M n..6	M			End of the transmission file, Number of messages or message groups Number of messages or message groups in the transmission file.
0020	Interchange control reference	M an..14	M			Interchange control reference, end Interchange control reference, identical with UNB DE 0020.
Segment notes: The UNZ segment is the last segment of the transmission file. Note DE 0036: If functional groups are not used, this is the number of messages within the interchange. Example: UNZ+1+4711' The transmission file contains 1 message.						

8. Example(s)

Instruction for Returns message example

Please note that EANCOM® 2002 message examples are intended to describe all possible constellations of segment use. They do not necessarily reflect the actual requirements of a business process.

Please also note that for technical reasons the examples can contain component data element separators, which would normally be represented as data element separators in original messages.

8. Example(s)

UNA:+.?'

The UNA segment contains the default service string characters.

UNB+UNOC:3+401234500009:14:4012345000018+4000004000002:14:4000004000099+101013:1043+4711+REF:AA++++EANCOM+1'

The EANCOM file 4711 dated 13.10.2010, 10 h 43 is sent by the issuer identified with GLN 4012345000009 to the receiver identified with GLN 4000004000002.

UNH+ME0001+RETINS:D:01B:UN:EAN003'

The reference number of the RETINS message is ME0001.

BGM+71E::9+87441+9'

The document number is 87441.

DTM+137:20081209:102'

The message was created on 09.12.2008.

DTM+2:20031028:102'

Requested delivery date is 28.10.2003.

DTM+200:20031026:102'

This example requires the pick up of consignment on 26.10.2003.

DTM+557:20031028:102'

Latest return date is 28.10.2003.

RFF+ALQ:4711'

The message references to the number 4711 of a announcement for returns.

DTM+171:20030301:102'

The announcement for returns is dated 01.03.2003

RFF+AAK:4710'

The message references to despatch advice number 4710.

RFF+DQ:4714'

The message references to delivery note number 4714.

NAD+SU+4012345000009::9'

The supplier/manufacturer is identified by Global Location Number (GLN) 4012345000009.

RFF+GN:HRB-471111'

German statements on business letters: HRB-471111

NAD+BY+4398765000004::9'

The buyer is identified with the Global Location Number (GLN) 4398765000004.

CDI+2+VEV:MEDIA:246'

According to contractual conditions all of the goods detailed in the message should be returned.

CDI+3E+12E::9'

All of the goods detailed in the message should be returned.

DTM+557:20080505:102'

The return is dated for the 05th of Mai 2008.

8. Example(s)

LIN+3++400004000035:SRV'

The item instructed for return with the item number 3 is identified by GTIN 400004000035.

PIA+5+ABC5343:SA::91'

Only if LIN does not provide a GTIN: Item identification in PIA

QTY+445:20'

The return quantity amounts to 20 pieces of the article no. described in the LIN segment. (GTIN).

LOC+14+4056786542381::9'

The goods are at the location with GLN 4056786542381

MOA+203:108.13:EUR'

The line item amount is 108.13 EURO.

RFF+ALQ:4711'

The current line item references to the number 4711 of a announcement for returns.

DTM+171:20030301:102'

The announcement for returns for the current line item is dated 01.03.2003

RFF+AAK:4710'

The current line item references to despatch advice number 4710.

RFF+DQ:4714'

The current line item references to delivery note number 4714.

CDI+2+VEV:MEDIA:246'

According to contractual conditions the goods of the current line item should be returned.

CDI+3E+12E::9'

Goods of the current line item should be returned.

DTM+557:20080505:102'

The return is dated for the 05th of Mai 2008.

UNT+23+ME0001'

Number of segments in the message.

UNZ+1+4711'

The transmission file contains 1 message.
