

GS1 Germany EDI Recommendation

**for the textile sectors
CFB-Connecting Fashion Business
V2.1
Price Sales Catalogue
(PRICAT)**

**based on
EANCOM[®] 2002 S3**

1. Introduction.....	2
2. List of business terms	5
3. Message structure chart.....	7
4. Branching diagram	9
5. Segment Descriptions	13
6. Segments layout.....	17
7. EANCOM-Segments layout	76
8. Example(s)	136

1. Introduction

Preamble

The aim of the brochure on hand is to offer documentation describing the exchange of article master data between business partners.

The basis of this elaboration is the international standard EANCOM® 2002. The message type ORDERS 010 is used to transmit relevant data. GEFEG.FX (Gefeg mbH, Berlin) was used as the documentation tool.

Please be aware to know that this booklet does not replace the complete specifications in the original chapters or other relevant instructions within the EANCOM® 2002 documentation. Instead, it deals with the description of segments, data elements and codes to be used for a specific task.

The current documentation has been produced by the GS1 Germany GmbH in Cologne. GS1 Germany assumes no liability for any damages incurring from the use of this documentation. This brochure or extracts thereof may only be published or forwarded to third parties with the express written consent of GS1 Germany, which holds copyright on this work.

GS1 Germany thanks all experts who contributed significantly to these guidelines with knowledge from their daily business.

Important note:

To fulfill the requirements of directive 2003/58/EG, article 4, C058 has been opened in NAD segments identifying a message sender. If the place in the 5 DE 3124 is not sufficient, the following RFF segments can be used, qualified with DE 1153 = GN. DE 1154 has got a capacity of 70 digits. Only in those cases, when no RFF segment follows NAD, a RFF+GN can be used in the heading section of the message. Within the EDI recommendations of GS1 Germany this is only applicable for the messages REMADV and SLSFCT.

1. Introduction

Conventions

This brochure offers different ways to start:

Section 2, "Business Terms", is a table which links directly to the sequence numbers of the segments.

Section 3, "Message Structure Chart", is a list of all used segments in the same sequence as they are defined in the EANCOM® message. In general, for each piece of information one single segment is provided. Exceptions may arise when the occurrence of a segment is limited and can contain alternative information (e.g., segment BGM).

Section 4, "Branching Diagram", is a hierarchical graphic depiction of all used segments in the same sequence as they are defined in the EANCOM® message. However, every segment is shown only once, and it is therefore possible that the sequence numbering is interrupted.

Section 5, "Segments Description", is a brief summary of the use of each segment.

In **Section 6, "Segments Layout"**, an illustration that has been chosen to match the business terms (data from the inhouse application) with the elements from the EANCOM® syntax.

In **Section 7, "EANCOM® Segments Layout"**, the message is presented in a similar layout as in the EANCOM® manual.

Note on sections 6 and 7:

An additional column (GER) to provide a German status has been added to the layouts. An entry indicates that the recommended status differs from the EANCOM® status. If the recommended status is weaker than the EANCOM® status, the data element (or, if only one term exists the entire segment) can be omitted.

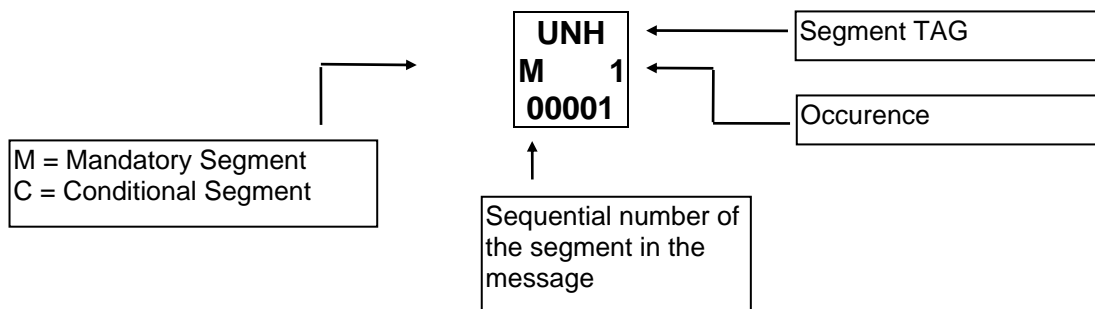
In general, code names are presented in red; these must to be understood as restricted and should not be changed/modified without bilateral agreement with the partner. If codes are given as examples, they are represented in blue (e.g., measurements). In this case, all codes of the relevant code list can be used.

Section 8, "Example(s)", provides at least one message example with comments.

Please note that, for technical reasons, the examples can contain component data element separators, which would otherwise be represented as data element separators in the original messages.

1. Introduction

The following conventions apply to this brochure:



Business Term			EANCOM-Mapping		
Name	Format	Status	DEG	DE	Description
a	alphabetic character				
n	numeric character				
an	alphanumeric character				
a3	3 alphabetic characters, fixed length				
n3	3 numeric characters, fixed length				
an3	3 alphanumeric characters, fixed length				
a..3	up to 3 alphabetic characters				
n..3	up to 3 numeric characters				
an..3	up to 3 alphanumeric characters				

C	=	Conditional
M	=	Mandatory
R	=	Required
D	=	Depending
O	=	Optional
A	=	Recommended
N	=	Not used

2. Business Terms

Term	EANCOM-Segment			Data element	
	No.	Segment	SG	DEG	DE
Acknowledgement request	2	UNB			0031
Address for reverse routing	2	UNB		S002	0008
Address in the internet	54	COM	SG17#1\SG36#1\SG51#1	C076	3148
Application reference	2	UNB			0026
Article long description	18	IMD	SG17#1\SG36#1	C273	7008
Articles promotional variant	15	PIA	SG17#1\SG36#1	C212	7140
Attribute of generation	13	LIN	SG17#1\SG36#1		1229
Batch number	15	PIA	SG17#1\SG36#1	C212	7140
Brandname	20	IMD	SG17#1\SG36#1	C273	7008
Character set	2	UNB		S001	0001
Class of goods	16	PIA	SG17#1\SG36#1	C212	7140
Clothes hanger type	52	PAC	SG17#1\SG36#1\SG47#4	C202	7064
Code list name	12	PGI	SG17#1	C288	1131
Colour	23	IMD	SG17#1\SG36#1	C273	7008
Colour, identifier	23	IMD	SG17#1\SG36#1	C273	7009
Component data element separator	1	UNA			UNA1
Consumer unit, yes/no	29	IMD	SG17#1\SG36#1	C273	7009
Correct fit	25	IMD	SG17#1\SG36#1	C273	7008
County of origin	36	ALI	SG17#1\SG36#1		3239
Creation date	5	DTM		C507	2380
Currency code	11	CUX	SG6#1	C504	6345
Data element separator	1	UNA			UNA2
Decimal notation	1	UNA			UNA3
Delivery period, (detail section)	40	DTM	SG17#1\SG36#1	C507	2380
Delivery unit, yes/no	27	IMD	SG17#1\SG36#1	C273	7009
EANCOM	2	UNB			0032
Earliest order date, (detail section)	39	DTM	SG17#1\SG36#1	C507	2380
End of the transmission file, Number of messages or message groups	58	UNZ			0036
File creation date	2	UNB		S004	0017
File creation time	2	UNB		S004	0019
Format of file	53	EFI	SG17#1\SG36#1\SG51#1	C099	1516
Gross weight	33	MEA	SG17#1\SG36#1	C174	6314
GTIN	13	LIN	SG17#1\SG36#1	C212	7140
GTIN	55	HYN	SG17#1\SG36#1\SG56#1	C212	7140
Harmonised system	15	PIA	SG17#1\SG36#1	C212	7140
Identification of receiver	9	NAD	SG2#2	C082	3039
Identification of supplier	7	NAD	SG2#1	C082	3039
Incremental order quantity	35	QTY	SG17#1\SG36#1	C186	6060
Identification of the receiver of the transmission file	2	UNB		S003	0010
Identification of the sender of the transmission file	2	UNB		S002	0004
Interchange control reference, beginnig	2	UNB			0020
Interchange control reference, end	58	UNZ			0020
Line item number	13	LIN	SG17#1\SG36#1		1082
Marked with barcode	50	PAC	SG17#1\SG36#1\SG47#2	C531	7233
Marked with price	49	PAC	SG17#1\SG36#1\SG47#1	C531	7233
Material information	41	CCI	SG17#1\SG36#1\SG37#1	C240	7037
Material, Code	42	CAV	SG17#1\SG36#1\SG37#1	C889	7111
Material, percentage	43	MEA	SG17#1\SG36#1\SG37#1	C174	6314
Material, Text	42	CAV	SG17#1\SG36#1\SG37#1	C889	7110
Measurements	32	MEA	SG17#1\SG36#1	C174	6314

2. Business Terms

Term	EANCOM-Segment			Data element	
	No.	Segment	SG	DEG	DE
Message reference number	3	UNH			0062
Model number	15	PIA	SG17#1\SG36#1	C212	7140
Name of article	17	IMD	SG17#1\SG36#1	C273	7008
Name of file	53	EFI	SG17#1\SG36#1\SG51#1	C077	1508
Name of grouping, code	12	PGI	SG17#1	C288	5389
NOS article, yes/no	30	IMD	SG17#1\SG36#1	C273	7009
Not subject to automated processes	37	ALI	SG17#1\SG36#1		4183
Number of segments within a message	57	UNT			0074
Ordering unit, yes/no	26	IMD	SG17#1\SG36#1	C273	7009
Password interchange	2	UNB		S005	0022
Price list number	4	BGM		C106	1004
Process variant, coded	4	BGM		C002	1000
Quantity	56	QTY	SG17#1\SG36#1\SG56#1	C186	6060
Range maximum value	46	RNG	SG17#1\SG36#1\SG40#1	C280	6152
Range minimum value	46	RNG	SG17#1\SG36#1\SG40#1	C280	6162
Release character	1	UNA			UNA4
Reserved for future use	1	UNA			UNA5
Retail price	48	PRI	SG17#1\SG36#1\SG40#4	C509	5118
Routing address	2	UNB		S003	0014
Season parameter	31	IMD	SG17#1\SG36#1	C273	7009
Segment terminator	1	UNA			UNA6
Single price per invoiced unit gross	47	PRI	SG17#1\SG36#1\SG40#2	C509	5118
Single price per invoiced unit net	45	PRI	SG17#1\SG36#1\SG40#1	C509	5118
Size, description	24	IMD	SG17#1\SG36#1	C273	7008
Size, identifier	24	IMD	SG17#1\SG36#1	C273	7009
Smallest Order Quantity	34	QTY	SG17#1\SG36#1	C186	6060
Smallest unit, yes/no	28	IMD	SG17#1\SG36#1	C273	7009
Statements on business letters	8	RFF	SG2#1\SG3#1	C506	1154
Suppliers article number (secondary indent.)	14	PIA	SG17#1\SG36#1	C212	7140
Syntax version	2	UNB		S001	0002
Test indicator	2	UNB			0035
Text on the sales slip	19	IMD	SG17#1\SG36#1	C273	7008
Topic 7 programme	21	IMD	SG17#1\SG36#1	C273	7008
Type description	22	IMD	SG17#1\SG36#1	C273	7008
Type of package	51	PAC	SG17#1\SG36#1\SG47#3	C202	7065
Validity, start date	6	DTM		C507	2380
Validity, start date	38	DTM	SG17#1\SG36#1	C507	2380
Value added tax on header level	10	TAX	SG5#1	C241	5153
Value added tax on line level	44	TAX	SG17#1\SG36#1\SG38#1	C241	5153

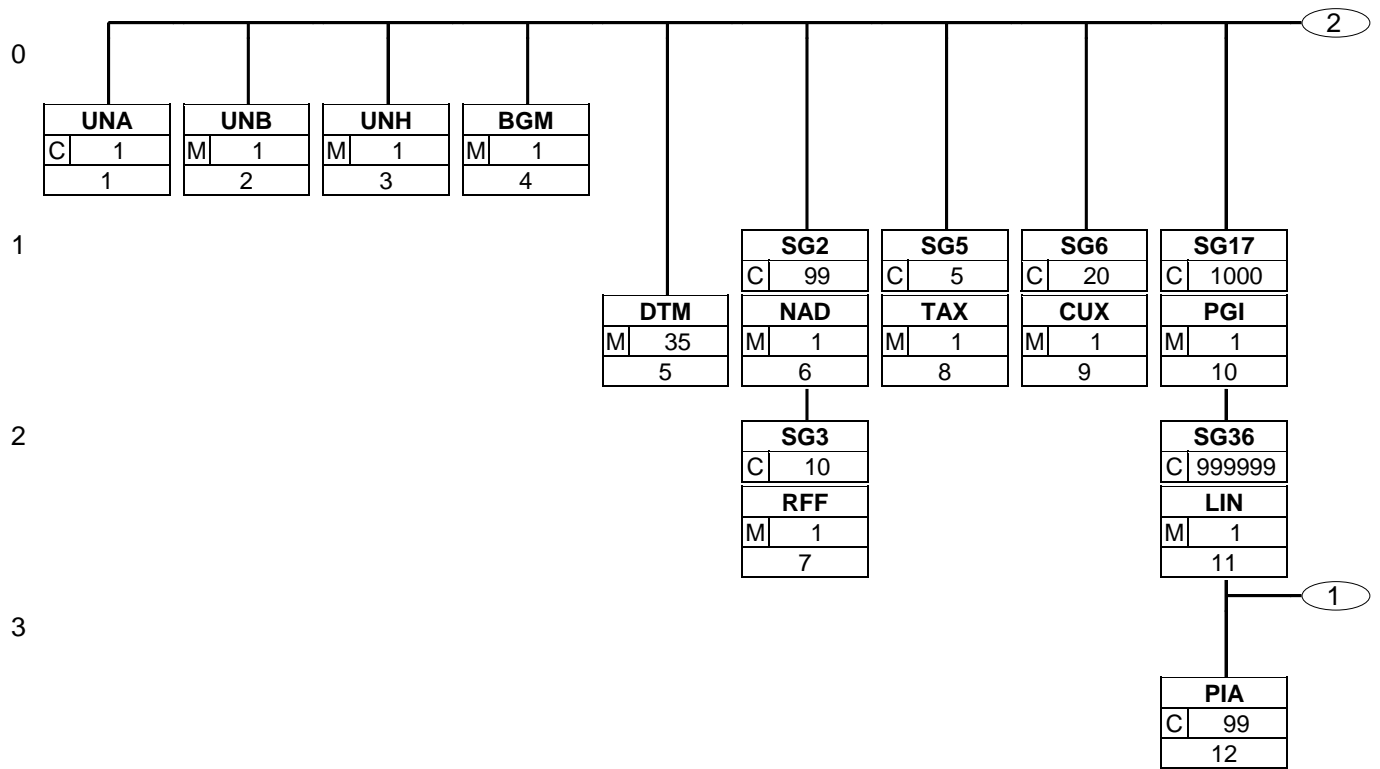
3. Message Structure Chart

TAX	44	M	1	- Value added tax on line level
SG40		C	100	- PRI-RNG
PRI	45	M	1	- Price per unit net
RNG	46	C	1	- Range details
SG40		C	100	- PRI
PRI	47	M	1	- Price per unit gross
SG40		C	100	- PRI
PRI	48	M	1	- Retail price
SG47		C	999	- PAC
PAC	49	M	1	- Marked with Price
SG47		C	999	- PAC
PAC	50	M	1	- Marked with barcode
SG47		C	999	- PAC
PAC	51	M	1	- Packaging details
SG47		C	999	- PAC
PAC	52	M	1	- Clothes hanger
SG51		C	99	- EFI-COM
EFI	53	M	1	- External link
COM	54	C	9	- Internetaddress
SG56		C	999	- HYN-QTY
HYN	55	M	1	- Hierarchy information
QTY	56	C	9	- Quantity

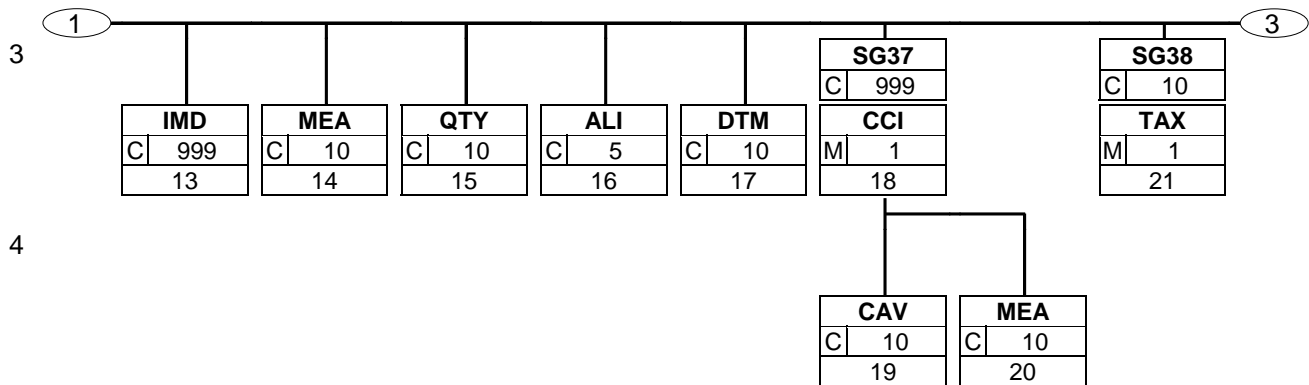
Price/Sales Catalogue Summary Section

UNT	57	M	1	- End of message
UNZ	58	M	1	- End of the transmission file

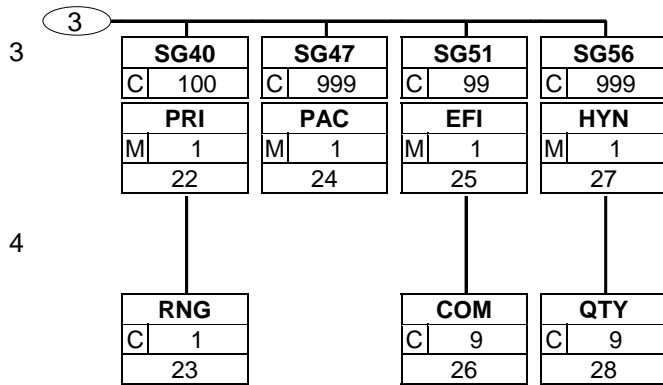
4. Branching Diagram



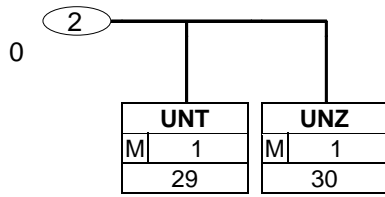
4. Branching Diagram



4. Branching Diagram



4. Branching Diagram



5. Segments Description

PIA - C 99	- Additional possibilities for product identification This segment is used if the previous PIA segment can not provide all relevant information.
PIA - C 99	- Class of goods textile
IMD - C 999	- Item name This segment is used to provide a description for the current line item.
IMD - C 999	- Article long description This segment is used to provide a description for the current line item.
IMD - C 999	- Short description This segment is used to provide a description for the current line item.
IMD - C 999	- Brandname
IMD - C 999	- Marketing Campaign This segment is used to provide a description for the current line item.
IMD - C 999	- Model description This segment is used to provide a description for the current line item.
IMD - C 999	- Colour This segment is used to provide a description for the current line item.
IMD - C 999	- Size This segment is used to provide a description for the current line item.
IMD - C 999	- Correct fit
IMD - C 999	- Ordering unit, yes/no This segment is used to provide a description for the current line item.
IMD - C 999	- Despatch unit, yes/no This segment is used to provide a description for the current line item.
IMD - C 999	- Smallest unit, yes/no This segment is used to provide a description for the current line item.
IMD - C 999	- Consumer unit, yes/no This segment is used to provide a description for the current line item.
IMD - C 999	- NOS article, yes/no This segment is used to provide a description for the current line item.
IMD - C 999	- Season parameter
MEA - C 10	- Measurements This segment is used to provide measurements.
MEA - C 10	- Gross weight This segment is used to provide the gross weight.
QTY - C 10	- Smallest Order Quantity The QTY segment is used to specify the smallest order quantity for the current line item, which was identified in the LIN segment.
QTY - C 10	- Order subset quantity The QTY segment is used to specify the incremental order quantity for the current line item, which was identified in the LIN segment.
ALI - C 5	- Country of origin
ALI - C 5	- Manual finishing
DTM - C 10	- Validity, start date

5. Segments Description

DTM - C 10	- Order period This segment is used by the supplier to specify an order period for the article.
DTM - C 10	- Delivery period This segment is used by the supplier to specify a delivery period for the article.
SG37 - C 999	- CCI-CAV-MEA
CCI - M 1	- Material information This segment is used to specify the characteristics of the current line item.
CAV - C 10	- Type of material This segment is used to further specify product characteristics for the current line item.
MEA - C 10	- Type of material, procentage This segment is used to specify any measurements related to the currently identified product characteristic class.
SG38 - C 10	- TAX
TAX - M 1	- Value added tax on line level
SG40 - C 100	- PRI-RNG
PRI - M 1	- Price per unit net This segment is used to provide the net price.
RNG - C 1	- Range details This segment is used to specify ranges which apply to the previous PRI segment.
SG40 - C 100	- PRI
PRI - M 1	- Price per unit gross This segment is used to provide the gross price.
SG40 - C 100	- PRI
PRI - M 1	- Retail price
SG47 - C 999	- PAC
PAC - M 1	- Marked with Price
SG47 - C 999	- PAC
PAC - M 1	- Marked with barcode
SG47 - C 999	- PAC
PAC - M 1	- Packaging details
SG47 - C 999	- PAC
PAC - M 1	- Clothes hanger This segment is only used to order textiles on clothes hangers.
SG51 - C 99	- EFI-COM
EFI - M 1	- External link This segment is used to identify an external object by indicating its identification and the format.
COM - C 9	- Internetaddress
SG56 - C 999	- HYN-QTY
HYN - M 1	- Hierarchy information This segment is used to provide hierarchical product information related to the current line item.
QTY - C 9	- Quantity

5. Segments Description

Price/Sales Catalogue Summary Section

UNT - M 1

- **End of message**

This segment is a mandatory UN/EDIFACT segment. It must always be the last segment in the message.

UNZ - M 1

- **End of the transmission file**

The UNZ segment is the last segment of the transmission file.

6. Segments Layout

Segment number: 1

UNA - C 1 - Service string advice					
Description: To define the characters selected for use as delimiters and indicators in the rest of the interchange that follows.					
Business Term	DE	EDIFACT	EAN *	GER	Description
Component data element separator	UNA1	M an1	M		Default value: ":"
Data element separator	UNA2	M an1	M		Default value: "+"
Decimal notation	UNA3	M an1	M		Default value: "."
Release character	UNA4	M an1	M		Default value: "?"
Reserved for future use	UNA5	M an1	M		(Default value: space)
Segment terminator	UNA6	M an1	M		Default value: "' '
Segment notes: The use of the UNA segment is mandatory, if character set "A" (UNB,DE0001) is not used. For international EDI the use of character set UNOA is recommended. For national (German) EDI the use of UNOC is reasonable because it contains lower case letters and umlauts. Example: UNA:+.? ' The UNA segment contains the default service string characters.					

6. Segments Layout

Segment number: 2

UNB - M 1 - Interchange header						
Description: To start, identify and specify an interchange.						
Business Term	DE	EDIFACT	EAN	*	GER	Description
	S001	M	M			
Character set	0001	M a4	M			UNOA = UN/ECE level A UNOB = UN/ECE level B UNOC = UN/ECE level C UNOD = UN/ECE level D UNOE = UN/ECE level E UNOF = UN/ECE level F
Syntax version	0002	M n1	M			3 = Version 3
	S002	M	M			
Identification of the sender of the transmission file	0004	M an..35	M			= Global Location Number (GLN)
	0007	C an..4	R			14 = GS1
Address for reverse routing	0008	C an..14	O			See note
	S003	M	M			
Identification of the receiver of the transmission file	0010	M an..35	M			= Global Location Number (GLN)
	0007	C an..4	R			14 = GS1
Routing address	0014	C an..14	O			See note
	S004	M	M			
File creation date	0017	M n6	M			= Dateformat JJMMTT
File creation time	0019	M n4	M			= Timeformat HHMM
Interchange control reference, beginnig	0020	M an..14	M			= Unique senders reference
	S005	C	O			
Password interchange	0022	M an..14	M			
	0025	C an2	O			AA = Reference BB = Password
Application reference	0026	C an..14	O			Message type if the transmission fole contains only one message type
	0029	C a1	O			A = Highest priority
Acknowledgement request	0031	C n1	O			
EANCOM	0032	C an..35	O		R	= EANCOM... EDIFACT subset identification (see note)
Test indicator	0035	C n1	O			1 = Interchange is a test
Segment notes:						
<p>This segment is used to envelope the interchange, as well as to identify both, the party to whom the interchange is sent and the party who has sent the interchange.</p> <p>For international EDI the use of character set UNOA is recommended. For national (German) EDI the use of UNOC is reasonable because it contains lower case letters and umlauts.</p>						
Note DE 0008:						
The address for reverse routing is provided by the interchange sender to inform the interchange recipient of the						

6. Segments Layout

Segment number: 2

address within the sender's (source) system to which responding interchanges must be sent. It is recommended that the GLN be used for this purpose.

Note DE 0014:

The routing address is used to identify the receiver, if a provider adds service values for the actual receiver (e.g. consolidated companies, corporate group). The use of the identification system (e.g. GLN) has to be agreed bilaterally.

Note DE 0020:

This data element must contain a consistent sequential number per interchange between sender and receiver of the transmission.

Note DE 0032: This data element is used to identify any underlying agreements which control the exchange of data. Within EANCOM , the identity of such agreements must start with the letters 'EANCOM', the remaining characters within the data element being filled according to bilateral agreements.

Example:

```
0      UNB+UNOC:3+4012345000009:14:4012345000018+4000004000002:14:4000004000099+101013:1
      43+4711+REF:AA++++EANCOM+1'
      The EANCOM file 4711 dated 13.10.2010, 10 h 43 is sent by the issuer identified with GLN
      4012345000009 to the receiver identified with GLN 4000004000002.
```

6. Segments Layout

Heading section

Segment number: 3

UNH - M 1 - Message header						
Description: To head, identify and specify a message.						
Business Term	DE	EDIFACT	EAN	*	GER	Description
Message reference number	0062	M an..14	M			Senders unique message reference. Sequence number of messages in the interchange. DE 0062 in UNT will have the same value. Generated by the sender.
	S009	M	M			
	0065	M an..6	M	*		PRICAT = Price/sales catalogue message
	0052	M an..3	M	*		D = Draft version/UN/EDIFACT Directory
	0054	M an..3	M	*		01B = Release 2001 - B
	0051	M an..2	M	*		UN = UN/CEFACT
	0057	C an..6	R	*		EAN009 = GS1 version control number (GS1 Code)
	0068	C an..35	N			
Segment notes:						
Segmentstatus: Mandatory						
This segment is used to head, identify and specify a message.						
DE's 0065, 0052, 0054, and 0051: Indicate that the message is a UNSM Price/Sales Catalogue based on the D. 01B directory under the control of the United Nations.						
Example: UNH+ME0001+PRICAT:D:01B:UN:EAN009'						
The reference number of the PRICAT message is ME0001.						

6. Segments Layout

Heading section

Segment number: 4

BGM - M 1 - Beginning of message						
Description: To indicate the type and function of a message and to transmit the identifying number.						
Business Term	DE	EDIFACT	EAN	*	GER	Description
	C002	C	R			
	1001	C an..3	R	*		9 = Price/sales catalogue
	1131	C an..17	N			
	3055	C an..3	D	*		9 = GS1
Process variant, coded	1000	C an..35	O			This data element indicates the variante of the process model textile: ../04-2-2.pdf
	C106	C	R			
Price list number	1004	C an..35	R			Price list number assigned by document sender
	1225	C an..3	R	*		9 = Original
	4343	C an..3	D			
Segment notes: Segmentstatus: Mandatory This segment is used to indicate the type and function of a message and to transmit the identifying number of the document. Example: BGM+9::9+128576+9' The document number is 128576.						

6. Segments Layout

Heading section

Segment number: 5

DTM - M 35 - Date/time/period						
Description: To specify date, and/or time, or period.						
Business Term	DE	EDIFACT	EAN	*	GER	Description
	C507	M	M			
	2005	M an..3	M			137 = Document/message date/time
Creation date	2380	C an..35	R			
	2379	C an..3	R			102 = CCYYMMDD 203 = CCYYMMDDHHMM
Segment notes: Segmentstatus: Mandatory						
This segment is used to specify any dates applicable to the complete price list message. DE 2005: Identification of the 'Document/message date/time' (code value 137) is mandatory in an EANCOM message.						
Example: DTM+137:20081209:102' The message was created on 09.12.2008.						

6. Segments Layout

Segment number: 6

DTM - M 35 - Date/time/period					
Description: To specify date, and/or time, or period.					
Business Term	DE	EDIFACT	EAN *	GER	Description
	C507	M	M		
	2005	M an..3	M		157 = Validity start date
Validity, start date	2380	C an..35	R		
	2379	C an..3	R		102 = CCYYMMDD
Segment notes: Segmentstatus: Conditional Example: DTM+157:20090526:102' The validity period starts with the 26th of May 2009 .					

6. Segments Layout

Heading section

Segment number: 7

SG2	- C	99 - NAD-SG3				
NAD	- M	1 - Name and address				
Description:						
To specify the name/address and their related function, either by C082 only and/or unstructured by C058 or structured by C080 thru 3207.						
Business Term	DE	EDIFACT	EAN	*	GER	Description
	3035	M an..3	M			SU = Supplier
	C082	C	A			
Identification of supplier	3039	M an..35	M			Global Location Number (GLN) - Format n13
	1131	C an..17	N			
	3055	C an..3	R	*		9 = GS1
	C058	C	O			This composite may only be used to fulfill the requirements of directive 2003/58/EG, article 4. If applicable the message sender gets the possibility to give the relevant statements at this place. If C058 ist not sufficient, more declaration can be given in following RFF+GN... segments.
	3124	M an..35	M			
	3124	C an..35	O			
	3124	C an..35	O			
	3124	C an..35	O			
	3124	C an..35	O			
Segment notes:						
Segmentstatus: Mandatory						
Within EANCOM it is mandatory to identify the supplier/manufacturer by Global Location Number (GLN).						
Example: NAD+SU+4012345000009::9'						
The supplier/manufacturer is identified by Global Location Number (GLN) 4012345000009.						

6. Segments Layout

Heading section

Segment number: 8

SG2	- C	99 - NAD-SG3				
SG3	- C	10 - RFF				
RFF	- M	1 - Reference				
Description: To specify a reference.						
Business Term	DE	EDIFACT	EAN	*	GER	Description
	C506	M	M			
	1153	M an..3	M			GN = Government reference number
Statements on business letters	1154	C an..70	R			
Segment notes: Segmentstatus: Depending						
This RFF segment may only be used if the preceeding NAD has not enough space to fulfill the requirements of directive 2003/58/EG, article 4.						
Example: RFF+GN:HRB-471111' German statements on business letters: HRB-471111						

6. Segments Layout

Heading section

Segment number: 9

SG2	- C	99 - NAD				
NAD	- M	1 - Name and address				
Description:						
To specify the name/address and their related function, either by C082 only and/or unstructured by C058 or structured by C080 thru 3207.						
Business Term	DE	EDIFACT	EAN	*	GER	Description
	3035	M an..3	M			MR = Message recipient
	C082	C	A			
Identification of receiver	3039	M an..35	M			Global Location Number (GLN) - Format n13
	1131	C an..17	N			
	3055	C an..3	R	*		9 = GS1
Segment notes:						
Segmentstatus: Mandatory						
Within EANCOM it is mandatory to identify the receiver by Global Location Number (GLN).						
Example: NAD+MR+4398765000004::9'						
The price list is valid for the receiver with the Global Location Number (GLN) 4398765000004.						

6. Segments Layout

Heading section

Segment number: 10

SG5	- C	5 - TAX				
TAX	- M	1 - Duty/tax/fee details				
Description:						
To specify relevant duty/tax/fee information.						
Business Term	DE	EDIFACT	EAN	*	GER	Description
	5283	M an..3	M			7 = Tax
	C241	C	D			
Value added tax on header level	5153	C an..3	O			VAT = Value added tax
	1131	C an..17	O			
	3055	C an..3	D			
	5152	C an..35	O			
	C533	C	O			
	5289	M an..6	M			
	1131	C an..17	O			
	3055	C an..3	D			
	5286	C an..15	O			
	C243	C	A			
	5279	C an..7	O			
	1131	C an..17	O			
	3055	C an..3	D			
	5278	C an..17	R			Actual tax rate
	5273	C an..12	O			
	1131	C an..17	O			
	3055	C an..3	D			
	5305	C an..3	D		R	E = Exempt from tax S = Standard rate O = Services outside scope of tax (nicht steuerbarer Umsatz)
Segment notes:						
Segmentstatus: Mandatory						
Note to DE 5278 and 5305: if the business volume is free of tax, DE 5278 must contain 0 (zero).						
Example: TAX+7+VAT++++:19+S' The VAT rate for the price list is 19%.						

6. Segments Layout

Heading section

Segment number: 11

SG6	- C	20 - CUX				
CUX	- M	1 - Currencies				
Description: To specify currencies used in the transaction and relevant details for the rate of exchange.						
Business Term	DE	EDIFACT	EAN	*	GER	Description
	C504	C	R			
	6347	M an..3	M	*		2 = Reference currency
Currency code	6345	C an..3	R			ISO 4217 3-Alpha Code
	6343	C an..3	R	*		8 = Price list currency
Segment notes: Segmentstatus: Conditional This segment is used to indicate currency specification for the entire price list. Example: CUX+2:EUR:9' The currency of the price list is EURO						

6. Segments Layout

Detail section

Segment number: 12

SG17	- C	1000	- PGI-SG21-SG36
PGI	- M	1	- Product group information
Description: To indicate the group in which a product belongs.			
Business Term	DE	EDIFACT	EAN * GER Description
	5379	M an..3	M * 3 = Catalogue 11 = Product group
	C288	C	O
Name of grouping, code	5389	C an..25	O
Code list name	1131	C an..17	O
	3055	C an..3	D 91 = Assigned by supplier or supplier's agent
	5388	C an..35	O
Segment notes: Segmentstatus: Mandatory This segment is used to group a set of related products together. The detail section of the Price/Sales Catalogue starts with the PGI segment. PGI is used to group products, by price, by product type, by buying group, and/or by supplier/manufacturer. Example: PGI+11+TB:BEISPIEL:91' This example shows the grouping TB of the codelist "BEISPIEL" generated by the supplier.			

6. Segments Layout

Detail section

Segment number: 13

SG17	- C	1000	- PGI-SG21-SG36	
SG36	- C	999999	- LIN-PIA-IMD-MEA-QTY-ALI-DTM-FTX-SG37-SG38-SG40-SG41-SG47-SG51-SG56	
LIN	- M	1	- Line item	
Description: To identify a line item and configuration.				
Business Term	DE	EDIFACT	EAN * GER	Description
Line item number	1082	C an..6	R	Application generated line item number
Attribute of generation	1229	C an..3	A *	1 = Added 2 = Deleted 3 = Changed
	C212	C	D	
GTIN	7140	C an..35	R	GTIN, Format n..14
	7143	C an..3	R *	SRV = GS1 Global Trade Item Number
Segment notes: Segmentstatus: Mandatory The LIN-segment is used to specify the line item. In this segment the GTIN is indicated as item identification. Example: LIN+1+1+4000004000035:SRV' The line item with number 1 is identified by GTIN 4000004000035.				

6. Segments Layout

Detail section

Segment number: 14

SG17	- C	1000	- PGI-SG21-SG36
SG36	- C	999999	- LIN-PIA-IMD-MEA-QTY-ALI-DTM-FTX-SG37-SG38-SG40-SG41-SG47-SG51-SG56
PIA	- C	99	- Additional product id
Description: To specify additional or substitutional item identification codes.			
Business Term	DE	EDIFACT	EAN * GER Description
	4347	M an..3	M * 1 = Additional identification
	C212	M	M
Suppliers article number (secondary indent.)	7140	C an..35	R
	7143	C an..3	R SA = Supplier's article number
Segment notes: Segmentstatus: Conditional This segment is used to advise the suppliers article number additionally to GTIN. Example: PIA+1+7788:SA' The product with GTIN 4056786542381 is additionally identified with suppliers article number 7788.			

6. Segments Layout

Detail section

Segment number: 15

SG17	- C	1000	- PGI-SG21-SG36	
SG36	- C	999999	- LIN-PIA-IMD-MEA-QTY-ALI-DTM-FTX-SG37-SG38-SG40-SG41-SG47-SG51-SG56	
PIA	- C	99	- Additional product id	
Description: To specify additional or substitutional item identification codes.				
Business Term	DE	EDIFACT	EAN * GER	Description
	4347	M an..3	M *	1 = Additional identification
	C212	M	M	
Batch number	7140	C an..35	R	
	7143	C an..3	R	NB = Batch number
	C212	C	O	
Harmonised system	7140	C an..35	R	
	7143	C an..3	R	HS = Harmonised system
	C212	C	O	
Articles promotional variant	7140	C an..35	R	
	7143	C an..3	R	PV = Promotional variant number
	C212	C	C	
Model number	7140	C an..35	R	
	7143	C an..3	R	MN = Model number
Segment notes: Segmentstatus: Conditional				
This segment is used if the previous PIA segment can not provide all relevant information. Note: One PIA segment with five C212 or five Pia segments with one C212 each can be used in the same way, if the content of DE 4347 is identical. Example: PIA+1+CH-5343:NB+XYZ987:HS+4012368259753:PV+ABC123:MN' Batch number, Harmonized system, Promotional variant, model number				

6. Segments Layout

Detail section

Segment number: 16

SG17	- C	1000	- PGI-SG21-SG36	
SG36	- C	999999	- LIN-PIA-IMD-MEA-QTY-ALI-DTM-FTX-SG37-SG38-SG40-SG41-SG47-SG51-SG56	
PIA	- C	99	- Additional product id	
Description:				
To specify additional or substitutional item identification codes.				
Business Term	DE	EDIFACT	EAN * GER	Description
	4347	M an..3	M *	1 = Additional identification
	C212	M	M	
Class of goods	7140	C an..35	R	
	7143	C an..3	R	GD = Industry sector article group number/product classification code (GS1 Code)
	1131	C an..17	O	R BTE (Fixwert) DTB (Fixwert) FEDAS (Fixwert)
	3055	C an..3	D	R 9 = GS1
Segment notes:				
Segmentstatus: Conditional				
This segment display the classification of articles.				
Example: PIA+1+4711:GD:BTE:9'				
The article belongs to the class of goods "4711" according the classification system of BTE				

6. Segments Layout

Detail section

Segment number: 17

SG17	- C	1000	- PGI-SG21-SG36	
SG36	- C	999999	- LIN-PIA-IMD-MEA-QTY-ALI-DTM-FTX-SG37-SG38-SG40-SG41-SG47-SG51-SG56	
IMD	- C	999	- Item description	
Description: To describe an item in either an industry or free format.				
Business Term	DE	EDIFACT	EAN * GER	Description
	7077	C an..3	R	F = Free-form
	C272	C	C	
	7081	C an..3	R	ANM = Article name (GS1 Code)
	1131	C an..17	O	
	3055	C an..3	D	9 = GS1
	C273	C	C	
	7009	C an..17	O	
	1131	C an..17	O	
	3055	C an..3	D	
Name of article	7008	C an..256	C	
	7008	C an..256	O	
	3453	C an..3	O	DE = German
Segment notes: Segmentstatus: Mandatory This segment is used to provide a description for the current line item. Example: IMD+F+ANM::9+:::FASHION2009::DE' Name of Artikel: Fashion2009				

6. Segments Layout

Detail section

Segment number: 18

SG17	- C	1000	- PGI-SG21-SG36
SG36	- C	999999	- LIN-PIA-IMD-MEA-QTY-ALI-DTM-FTX-SG37-SG38-SG40-SG41-SG47-SG51-SG56
IMD	- C	999	- Item description
Description: To describe an item in either an industry or free format.			
Business Term	DE	EDIFACT	EAN * GER Description
	7077	C an..3	R * A = Free-form long description
	C272	C	N N
	7081	C an..3	R
	C273	C	A R
	7009	C an..17	O N
	1131	C an..17	O N
	3055	C an..3	D N
Article long description	7008	C an..256	O R
	7008	C an..256	O N
	3453	C an..3	O DE = German EN = English ISO 639 2-Alpha Code
Segment notes: Segmentstatus: Optional This segment is used to provide a description for the current line item. Example: IMD+A++:::Fashion:::DE' Article long description: Fashion			

6. Segments Layout

Detail section

Segment number: 19

SG17	- C	1000	- PGI-SG21-SG36
SG36	- C	999999	- LIN-PIA-IMD-MEA-QTY-ALI-DTM-FTX-SG37-SG38-SG40-SG41-SG47-SG51-SG56
IMD	- C	999	- Item description

Description:

To describe an item in either an industry or free format.

Business Term	DE	EDIFACT	EAN	*	GER	Description
	7077	C an..3	R			D = Free-form price look up
	C272	C	C			
	7081	C an..3	R			ANM = Article name (GS1 Code)
	1131	C an..17	O			
	3055	C an..3	D			9 = GS1
	C273	C	C			
	7009	C an..17	O			
	1131	C an..17	O			
	3055	C an..3	D			
Text on the sales slip	7008	C an..256	C			
	7008	C an..256	O			
	3453	C an..3	O			DE = German

Segment notes:

Segmentstatus: Optional

This segment is used to provide a description for the current line item.

Example: IMD+D+++::FASHION2009::DE'

The short description is "Fashion2009 (e.g. sales slip)

6. Segments Layout

Segment number: 20

SG17	- C	1000	- PGI-SG21-SG36
SG36	- C	999999	- LIN-PIA-IMD-MEA-QTY-ALI-DTM-FTX-SG37-SG38-SG40-SG41-SG47-SG51-SG56
IMD	- C	999	- Item description
Description: To describe an item in either an industry or free format.			
Business Term	DE	EDIFACT	EAN * GER Description
	7077	C an..3	R F = Free-form
	C272	C	C
	7081	C an..3	R BRN = Brand name (GS1 Code)
	1131	C an..17	O
	3055	C an..3	D 9 = GS1
	C273	C	C
	7009	C an..17	O
	1131	C an..17	O
	3055	C an..3	D
Brandname	7008	C an..256	O
	7008	C an..256	O
	3453	C an..3	O DE = German
Segment notes: Example: IMD+F+BRN::9+::CFB FASHION::DE' The brand name is: CFB Fashion			

6. Segments Layout

Detail section

Segment number: 21

SG17	- C	1000	- PGI-SG21-SG36	
SG36	- C	999999	- LIN-PIA-IMD-MEA-QTY-ALI-DTM-FTX-SG37-SG38-SG40-SG41-SG47-SG51-SG56	
IMD	- C	999	- Item description	
Description: To describe an item in either an industry or free format.				
Business Term	DE	EDIFACT	EAN * GER	Description
	7077	C an..3	R *	F = Free-form
	C272	C	O R	
	7081	C an..3	R	XX5 = Campaign name (GS1 Code)
	1131	C an..17	O	
	3055	C an..3	D *	9 = GS1
	C273	C	A R	
	7009	C an..17	O	
	1131	C an..17	O	
	3055	C an..3	D	
Topic 7 programme	7008	C an..256	O R	
	7008	C an..256	O N	
	3453	C an..3	O	DE = German EN = English ISO 639 2-Alpha Code
Segment notes: Segmentstatus: Optional This segment is used to provide a description for the current line item. Example: IMD+F+XX5::9+:::Sommerschlussverkauf::DE' Name of the campaign: Sommerschlussverkauf				

6. Segments Layout

Detail section

Segment number: 22

SG17	- C	1000	- PGI-SG21-SG36
SG36	- C	999999	- LIN-PIA-IMD-MEA-QTY-ALI-DTM-FTX-SG37-SG38-SG40-SG41-SG47-SG51-SG56
IMD	- C	999	- Item description
Description: To describe an item in either an industry or free format.			
Business Term	DE	EDIFACT	EAN * GER Description
	7077	C an..3	R * A = Free-form long description
	C272	C	O N
	7081	C an..3	R TPE = Article type (GS1 Code)
	C273	C	A R
	7009	C an..17	O N
	1131	C an..17	O N
	3055	C an..3	D N
Type description	7008	C an..256	O R
	7008	C an..256	O N
	3453	C an..3	O DE = German EN = English ISO 639 2-Alpha Code
Segment notes: Segmentstatus: Optional This segment is used to provide a description for the current line item. Example: IMD+A+TPE+:::Fashion::DE' The model description is: Fashion			

6. Segments Layout

Detail section

Segment number: 23

SG17	- C	1000	- PGI-SG21-SG36	
SG36	- C	999999	- LIN-PIA-IMD-MEA-QTY-ALI-DTM-FTX-SG37-SG38-SG40-SG41-SG47-SG51-SG56	
IMD	- C	999	- Item description	
Description: To describe an item in either an industry or free format.				
Business Term	DE	EDIFACT	EAN * GER	Description
	7077	C an..3	O *	B = Code and text F = Free-form
	C272	C	O R	
	7081	C an..3	R	35 = Colour
	1131	C an..17	O N	
	3055	C an..3	D *	
	C273	C	R	
Colour, identifier	7009	C an..17	O D	
	1131	C an..17	O	
	3055	C an..3	D	92 = Assigned by buyer or buyer's agent 91 = Assigned by supplier or supplier's agent
Colour	7008	C an..256	O R	
	7008	C an..256	O N	
	3453	C an..3	O	DE = German EN = English ISO 639 2-Alpha Code
Segment notes: Segmentstatus: Conditional				
This segment is used to provide a description for the current line item. This segment is used to provide information about colour if not coded in GTIN. The colour name is given in clear text by use of code value F in DE 7077. If additionally a colour identifier is provided in DE 7009 than code value B is used for DE 7077.				
Example: IMD+B+35::9+Col3012::91:PINK::DE' Colour: Pink (e.g. textile)				

6. Segments Layout

Detail section

Segment number: 24

SG17	- C	1000	- PGI-SG21-SG36	
SG36	- C	999999	- LIN-PIA-IMD-MEA-QTY-ALI-DTM-FTX-SG37-SG38-SG40-SG41-SG47-SG51-SG56	
IMD	- C	999	- Item description	
Description: To describe an item in either an industry or free format.				
Business Term	DE	EDIFACT	EAN * GER	Description
	7077	C an..3	O *	B = Code and text F = Free-form
	C272	C	O R	
	7081	C an..3	R	SGR = Size grid (GS1 Code) alternatively: 98 = Size only non-numeric values
	1131	C an..17	O N	
	3055	C an..3	D *	9 = GS1 Must be used if DE 7081 contains a GS1 Code
	C273	C	R	
Size, identifier	7009	C an..17	O D	
	1131	C an..17	O N	
	3055	C an..3	D	92 = Assigned by buyer or buyer's agent 91 = Assigned by supplier or supplier's agent
Size, description	7008	C an..256	O R	
	7008	C an..256	O N	
	3453	C an..3	O	DE = German EN = English ISO 639 2-Alpha Code
Segment notes: Segmentstatus: Conditional This segment is used to provide a description for the current line item. This segment provides information about size if not coded in GTIN. The size name is given in clear text by use of code value F in DE 7077. If additionally a size identifier is provided in DE 7009 than code value B is used for DE 7077. Example: IMD+B+SGR::9+XXS::91:Extra small::DE' Size: XXS				

6. Segments Layout

Detail section

Segment number: 25

SG17	- C	1000	- PGI-SG21-SG36	
SG36	- C	999999	- LIN-PIA-IMD-MEA-QTY-ALI-DTM-FTX-SG37-SG38-SG40-SG41-SG47-SG51-SG56	
IMD	- C	999	- Item description	
Description: To describe an item in either an industry or free format.				
Business Term	DE	EDIFACT	EAN * GER	Description
	7077	C an..3	R *	A = Free-form long description
	C272	C	O N	
	7081	C an..3	R	UP5 = Width or fitting (GS1 Code)
	C273	C	A R	
	7009	C an..17	O N	
	1131	C an..17	O N	
	3055	C an..3	D N	
Correct fit	7008	C an..256	O R	
Segment notes: Segmentstatus: Optional This segment is used to provide ther correct fit additionally to the size. Example: IMD+B+UP5+:::B' Cup B				

6. Segments Layout

Detail section

Segment number: 26

SG17	- C	1000	- PGI-SG21-SG36
SG36	- C	999999	- LIN-PIA-IMD-MEA-QTY-ALI-DTM-FTX-SG37-SG38-SG40-SG41-SG47-SG51-SG56
IMD	- C	999	- Item description
Description: To describe an item in either an industry or free format.			
Business Term	DE	EDIFACT	EAN * GER Description
	7077	C an..3	R * C = Code (from industry code list)
	C272	C	N N
	7081	C an..3	R
	C273	C	A R
Ordering unit, yes/no	7009	C an..17	O R NO = Not an ordering unit (GS1 Code) ORU = Ordering unit (GS1 Code)
	1131	C an..17	O N
	3055	C an..3	D R 9 = GS1
Segment notes: Segmentstatus: Mandatory This segment is used to provide a description for the current line item. Example: IMD+C++ORU::9' The article is an ordering unit.			

6. Segments Layout

Detail section

Segment number: 27

SG17	- C	1000	- PGI-SG21-SG36
SG36	- C	999999	- LIN-PIA-IMD-MEA-QTY-ALI-DTM-FTX-SG37-SG38-SG40-SG41-SG47-SG51-SG56
IMD	- C	999	- Item description
<p>Description: To describe an item in either an industry or free format.</p>			
Business Term	DE	EDIFACT	EAN * GER Description
	7077	C an..3	R * C = Code (from industry code list)
	C272	C	N N
	7081	C an..3	R
	C273	C	A R
Delivery unit, yes/no	7009	C an..17	O R DU = Despatch unit (GS1 Code) NDU = Not a despatch unit (GS1 Code)
	1131	C an..17	O N
	3055	C an..3	D 9 = GS1
<p>Segment notes: Segmentstatus: Mandatory</p> <p>This segment is used to provide a description for the current line item. Example: IMD+C++DU::9' The article is a despatch unit.</p>			

6. Segments Layout

Detail section

Segment number: 28

SG17	- C	1000	- PGI-SG21-SG36
SG36	- C	999999	- LIN-PIA-IMD-MEA-QTY-ALI-DTM-FTX-SG37-SG38-SG40-SG41-SG47-SG51-SG56
IMD	- C	999	- Item description
Description: To describe an item in either an industry or free format.			
Business Term	DE	EDIFACT	EAN * GER Description
	7077	C an..3	R * C = Code (from industry code list)
	C272	C	N N
	7081	C an..3	R
	C273	C	A R
Smallest unit, yes/no	7009	C an..17	O R NS = Not smallest unit (GS1 Code) SU = Smallest unit (GS1 Code)
	1131	C an..17	O N
	3055	C an..3	D 9 = GS1
Segment notes: Segmentstatus: Mandatory This segment is used to provide a description for the current line item. Example: IMD+C++SU::9' The article is the smallest unit.			

6. Segments Layout

Detail section

Segment number: 29

SG17	- C	1000	- PGI-SG21-SG36
SG36	- C	999999	- LIN-PIA-IMD-MEA-QTY-ALI-DTM-FTX-SG37-SG38-SG40-SG41-SG47-SG51-SG56
IMD	- C	999	- Item description
Description: To describe an item in either an industry or free format.			
Business Term	DE	EDIFACT	EAN * GER Description
	7077	C an..3	R * C = Code (from industry code list)
	C272	C	N N
	7081	C an..3	R
	C273	C	A R
Consumer unit, yes/no	7009	C an..17	O R CU = Consumer unit (GS1 Code) NCU = Not a consumer unit (GS1 Code)
	1131	C an..17	O N
	3055	C an..3	D 9 = GS1
Segment notes: Segmentstatus: Mandatory This segment is used to provide a description for the current line item. Example: IMD+C++CU::9' The article is the consumer unit.			

6. Segments Layout

Detail section

Segment number: 30

SG17	- C	1000	- PGI-SG21-SG36
SG36	- C	999999	- LIN-PIA-IMD-MEA-QTY-ALI-DTM-FTX-SG37-SG38-SG40-SG41-SG47-SG51-SG56
IMD	- C	999	- Item description
Description: To describe an item in either an industry or free format.			
Business Term	DE	EDIFACT	EAN * GER Description
	7077	C an..3	R * C = Code (from industry code list)
	C272	C	N N
	7081	C an..3	R
	C273	C	A R
NOS article, yes/no	7009	C an..17	O R NOS = Yes, NOS item (GS1 Code) NOT = Not, not an NOS item (GS1 Code)
	1131	C an..17	O N
	3055	C an..3	D 9 = GS1
Segment notes: Segmentstatus: Mandatory This segment is used to provide a description for the current line item. Example: IMD+C++NOS::9' The article is NOS.			

6. Segments Layout

Detail section

Segment number: 31

SG17	- C	1000	- PGI-SG21-SG36
SG36	- C	999999	- LIN-PIA-IMD-MEA-QTY-ALI-DTM-FTX-SG37-SG38-SG40-SG41-SG47-SG51-SG56
IMD	- C	999	- Item description

Description:

To describe an item in either an industry or free format.

Business Term	DE	EDIFACT	EAN	*	GER	Description
	7077	C an..3	R			C = Code (from industry code list)
	C272	C	C			
	7081	C an..3	O			XX7 = Season parameter (GS1 Code)
	1131	C an..17	O			
	3055	C an..3	D			9 = GS1
	C273	C	C			
Season parameter	7009	C an..17	R			See note below
	1131	C an..17	O			
	3055	C an..3	M			246 = GS1 Germany

Segment notes:

Segmentstatus: Optional

Angegeben wird immer der 1. geplante Verbrauchsmonat/-Saison. Der Wareneingang liegt in der jeweiligen Vorperiode kurz vor dem entsprechenden geplanten Verbrauchszeitraum.

J J M M 2 Stellen Jahr, 2 Stellen Monat

J J A Nr. Bei Saison-Angaben 2 Stellen Jahr, 1 Stelle Anzahl Saisons, 1 Stelle Nummer
(1= 1. Halbjahr od. 1. Quartal)

9 9 9 0 bei Mehrjahres- oder NOS-Sortimenten
Angabe von "999" sowie = = Ganzjahr

9 9 9 1 1 = F/S

9 9 9 2 2 = H/W

Example: IMD+C+XX7::9+9991::9'

6. Segments Layout

Detail section

Segment number: 32

SG17	- C	1000	- PGI-SG21-SG36	
SG36	- C	999999	- LIN-PIA-IMD-MEA-QTY-ALI-DTM-FTX-SG37-SG38-SG40-SG41-SG47-SG51-SG56	
MEA	- C	10	- Measurements	
Description:				
To specify physical measurements, including dimension tolerances, weights and counts.				
Business Term	DE	EDIFACT	EAN * GER	Description
	6311	M an..3	M	PD = Physical dimensions (product ordered)
	C502	C	A	
	6313	C an..3	A	HT = Height dimension WD = Width dimension LN = Length dimension
	6321	C an..3	O	
	6155	C an..17	O	
	6154	C an..70	N	
	C174	C	A	
	6411	M an..3	M	MMT = millimetre CMT = centimetre MTR = metre
Measurements	6314	C an..18	O	
Segment notes:				
Segmentstatus: Conditional				
This segment is used to provide measurements.				
Example: MEA+PD+HT+MMT:1050' The height is 1050 mm				

6. Segments Layout

Detail section

Segment number: 33

SG17	- C	1000	- PGI-SG21-SG36
SG36	- C	999999	- LIN-PIA-IMD-MEA-QTY-ALI-DTM-FTX-SG37-SG38-SG40-SG41-SG47-SG51-SG56
MEA	- C	10	- Measurements
Description: To specify physical measurements, including dimension tolerances, weights and counts.			
Business Term	DE	EDIFACT	EAN * GER Description
	6311	M an..3	M AAI = Item weight
	C502	C	A
	6313	C an..3	A AAB = Unit gross weight
	6321	C an..3	O
	6155	C an..17	O
	6154	C an..70	N
	C174	C	A
	6411	M an..3	M KGM = kilogram GRM = gram
Gross weight	6314	C an..18	O
Segment notes: Segmentstatus: Conditional This segment is used to provide the gross weight. Example: MEA+AAI+AAB+KGM:5' The gross weight is 5 kg.			

6. Segments Layout

Detail section

Segment number: 34

SG17	- C	1000	- PGI-SG21-SG36
SG36	- C	999999	- LIN-PIA-IMD-MEA-QTY-ALI-DTM-FTX-SG37-SG38-SG40-SG41-SG47-SG51-SG56
QTY	- C	10	- Quantity
Description: To specify a pertinent quantity.			
Business Term	DE	EDIFACT	EAN * GER Description
	C186	M	M
	6063	M an..3	M 53 = Minimum order quantity
Smallest Order Quantity	6060	M an..35	M Use only numeric values.
Segment notes: Segmentstatus: Optional			
The QTY segment is used to specify the smallest order quantity for the current line item, which was identified in the LIN segment.			
Example: QTY+53:20' The smallest ordered quantity amounts to 20 pieces of the article no. described in the LIN segment. (GTIN).			

6. Segments Layout

Detail section

Segment number: 35

SG17	- C	1000	- PGI-SG21-SG36
SG36	- C	999999	- LIN-PIA-IMD-MEA-QTY-ALI-DTM-FTX-SG37-SG38-SG40-SG41-SG47-SG51-SG56
QTY	- C	10	- Quantity
Description: To specify a pertinent quantity.			
Business Term	DE	EDIFACT	EAN * GER Description
	C186	M	M
	6063	M an..3	M 251 = Incremental order quantity
Incremental order quantity	6060	M an..35	M Use only numeric values.
Segment notes: Segmentstatus: Optional			
The QTY segment is used to specify the incremental order quantity for the current line item, which was identified in the LIN segment.			
Example: QTY+251:20' The subset quantity of the ordered article no. (GTIN) described in the LIN segment equals 20 pieces. Any higher multiple of 20 may be ordered.			

6. Segments Layout

Detail section

Segment number: 36

SG17	- C	1000	- PGI-SG21-SG36
SG36	- C	999999	- LIN-PIA-IMD-MEA-QTY-ALI-DTM-FTX-SG37-SG38-SG40-SG41-SG47-SG51-SG56
ALI	- C	5	- Additional information
<p>Description:</p> <p>To indicate that special conditions due to the origin, customs preference, fiscal or commercial factors are applicable.</p>			
Business Term	DE	EDIFACT	EAN * GER Description
County of origin	3239	C an..3	O DE = GERMANY CH = SWITZERLAND
<p>Segment notes:</p> <p>Segmentstatus: Optional</p> <p>Example: ALI+DE' Country of origin is Germany.</p>			

6. Segments Layout

Detail section

Segment number: 37

SG17	- C	1000	- PGI-SG21-SG36
SG36	- C	999999	- LIN-PIA-IMD-MEA-QTY-ALI-DTM-FTX-SG37-SG38-SG40-SG41-SG47-SG51-SG56
ALI	- C	5	- Additional information
<p>Description:</p> <p>To indicate that special conditions due to the origin, customs preference, fiscal or commercial factors are applicable.</p>			
Business Term	DE	EDIFACT	EAN * GER Description
	3239	C an..3	O
	9213	C an..3	O N
Not subject to automated processes	4183	C an..3	O 132 = not subject to automated processes
<p>Segment notes:</p> <p>Segmentstatus: Muss</p> <p>Example: ALI+++132' Manual finishing is needed.</p>			

6. Segments Layout

Detail section

Segment number: 38

SG17	- C	1000	- PGI-SG21-SG36	
SG36	- C	999999	- LIN-PIA-IMD-MEA-QTY-ALI-DTM-FTX-SG37-SG38-SG40-SG41-SG47-SG51-SG56	
DTM	- C	10	- Date/time/period	
Description: To specify date, and/or time, or period.				
Business Term	DE	EDIFACT	EAN * GER	Description
	C507	M	M	
	2005	M an..3	M	157 = Validity start date
Validity, start date	2380	C an..35	R	
	2379	C an..3	R	102 = CCYYMMDD
Segment notes: Segmentstatus: Conditional Example: DTM+157:20090526:102' The validity period starts with the 26th of May 2009 .				

6. Segments Layout

Detail section

Segment number: 39

SG17	- C	1000	- PGI-SG21-SG36
SG36	- C	999999	- LIN-PIA-IMD-MEA-QTY-ALI-DTM-FTX-SG37-SG38-SG40-SG41-SG47-SG51-SG56
DTM	- C	10	- Date/time/period
Description: To specify date, and/or time, or period.			
Business Term	DE	EDIFACT	EAN * GER Description
	C507	M	M
	2005	M an..3	M 423 = First date of ordering 424 = Last date of ordering
Earliest order date, (detail section)	2380	C an..35	R
	2379	C an..3	R 102 = CCYYMMDD
Segment notes: Segmentstatus: Conditional This segment is used by the supplier to specify an order period for the article. Example: DTM+423:20091028:102' The earliest order date is the 28 October 2009.			

6. Segments Layout

Detail section

Segment number: 40

SG17	- C	1000	- PGI-SG21-SG36
SG36	- C	999999	- LIN-PIA-IMD-MEA-QTY-ALI-DTM-FTX-SG37-SG38-SG40-SG41-SG47-SG51-SG56
DTM	- C	10	- Date/time/period
Description: To specify date, and/or time, or period.			
Business Term	DE	EDIFACT	EAN * GER Description
	C507	M	M
	2005	M an..3	M 63 = Delivery date/time, latest 64 = Delivery date/time, earliest
Delivery period, (detail section)	2380	C an..35	R
	2379	C an..3	R 102 = CCYYMMDD
Segment notes: Segmentstatus: Conditional This segment is used by the supplier to specify a delivery period for the article. Example: DTM+63:20091028:102' The latest delivery date is the 28 October 2009.			

6. Segments Layout

Segment number: 41

SG17	- C	1000	- PGI-SG21-SG36
SG36	- C	999999	- LIN-PIA-IMD-MEA-QTY-ALI-DTM-FTX-SG37-SG38-SG40-SG41-SG47-SG51-SG56
SG37	- C	999	- CCI-CAV-MEA
CCI	- M	1	- Characteristic/class id
Description:			
To identify and describe a specific characteristic and its relevance for subsequent business processes.			
Business Term	DE	EDIFACT	EAN * GER Description
	7059	C an..3	O 11 = Product
	C502	C	N
	6313	C an..3	
	C240	C	O
Material information	7037	M an..17	M MATERIAL = Material Information (GS1 Code)
Segment notes:			
This segment is used to specify the characteristics of the current line item.			
Example:			
Example: CCI+++MATERIAL'			

6. Segments Layout

Segment number: 42

SG17	- C	1000	- PGI-SG21-SG36
SG36	- C	999999	- LIN-PIA-IMD-MEA-QTY-ALI-DTM-FTX-SG37-SG38-SG40-SG41-SG47-SG51-SG56
SG37	- C	999	- CCI-CAV-MEA
CAV	- C	10	- Characteristic value

Description:

To provide the value of a characteristic.

Business Term	DE	EDIFACT	EAN	*	GER	Description
	C889	M	M			
Material, Code	7111	C an..3	A			CO = Baumwolle 39 = Fleece
	1131	C an..17	O			GDSNMATERIALCODE (Fixwert)
	3055	C an..3	D			174 = DE, DIN (Deutsches Institut fuer Normung) 246 = GS1 Germany
Material, Text	7110	C an..35	O			
	7110	C an..35	O			

Segment notes:

This segment is used to further specify product characteristics for the current line item.

Example:

Example: CAV+39:GDSNMATERIALCODE:246:FLEECE'

In Kombination mit dem Beispiel im vorherigen CCI zeigt, dass der im Produkt verwendete Stoff aus Fleece ist.

6. Segments Layout

Segment number: 43

SG17	- C	1000	- PGI-SG21-SG36
SG36	- C	999999	- LIN-PIA-IMD-MEA-QTY-ALI-DTM-FTX-SG37-SG38-SG40-SG41-SG47-SG51-SG56
SG37	- C	999	- CCI-CAV-MEA
MEA	- C	10	- Measurements

Description:

To specify physical measurements, including dimension tolerances, weights and counts.

Business Term	DE	EDIFACT	EAN	*	GER	Description
	6311	M an..3	M			SV = Specification value
	C502	C	O			
	6313	C an..3	A			
	6321	C an..3	O			3 = Approximately 4 = Equal to
	6155	C an..17	O			
	C174	C	R			
	6411	M an..3	M			P1 = percent
Material, percentage	6314	C an..18	O			Only numeric values.

Segment notes:

This segment is used to specify any measurements related to the currently identified product characteristic class.

Example:

Example: MEA+SV+:3+P1:65'

This MEA segment indicates the measurements for the specification identified in the CCI and CAV segments. In this instance the ingredient fleece is 65% of the total ingredients for the product.

6. Segments Layout

Detail section

Segment number: 44

SG17	- C	1000	- PGI-SG21-SG36
SG36	- C	999999	- LIN-PIA-IMD-MEA-QTY-ALI-DTM-FTX-SG37-SG38-SG40-SG41-SG47-SG51-SG56
SG38	- C	10	- TAX
TAX	- M	1	- Duty/tax/fee details

Description:

To specify relevant duty/tax/fee information.

Business Term	DE	EDIFACT	EAN	*	GER	Description
	5283	M an..3	M			7 = Tax
	C241	C	D			
Value added tax on line level	5153	C an..3	O			VAT = Value added tax
	1131	C an..17	O			
	3055	C an..3	D			
	5152	C an..35	O			
	C533	C	O			
	5289	M an..6	M			
	1131	C an..17	O			
	3055	C an..3	D			
	5286	C an..15	O			
	C243	C	A			
	5279	C an..7	O			
	1131	C an..17	O			
	3055	C an..3	D			
	5278	C an..17	R			Actual tax rate
	5273	C an..12	O			
	1131	C an..17	O			
	3055	C an..3	D			
	5305	C an..3	D		R	E = Exempt from tax S = Standard rate O = Services outside scope of tax (nicht steuerbarer Umsatz)

Segment notes:

Segmentstatus: Depending, mandatory if the VAT rate differ from the indication in the heading section.

Note to DE 5278 and 5305:

If the business volume is free of tax, DE 5278 must contain 0 (zero).

Example: TAX+7+VAT+++:::19+S'

The VAT rate for the current line item is 19%.

6. Segments Layout

Detail section

Segment number: 45

SG17	- C	1000	- PGI-SG21-SG36
SG36	- C	999999	- LIN-PIA-IMD-MEA-QTY-ALI-DTM-FTX-SG37-SG38-SG40-SG41-SG47-SG51-SG56
SG40	- C	100	- PRI-RNG
PRI	- M	1	- Price details
Description: To specify price information.			
Business Term	DE	EDIFACT	EAN * GER Description
	C509	C	R
	5125	M an..3	M
Single price per invoiced unit net	5118	C n..15	A
AAA = Calculation net			
Segment notes: Segmentstatus: Depending, mandatory if ALC, PCD or ALC, MOA are used. This segment is used to provide the net price. Example: PRI+AAA:9.98' The net price is 9.98 EURO.			

6. Segments Layout

Detail section

Segment number: 46

SG17	- C	1000	- PGI-SG21-SG36
SG36	- C	999999	- LIN-PIA-IMD-MEA-QTY-ALI-DTM-FTX-SG37-SG38-SG40-SG41-SG47-SG51-SG56
SG40	- C	100	- PRI-RNG
RNG	- C	1	- Range details
Description: To identify a range.			
Business Term	DE	EDIFACT	EAN * GER Description
	6167	M an..3	M 3 = Monetary range
	C280	C	R
	6411	M an..3	M PCE = Piece (GS1 Code) AMT = Amount (GS1 Code)
Range minimum value	6162	C n..18	O
Range maximum value	6152	C n..18	O
Segment notes: Segmentstatus: Optional This segment is used to specify ranges which apply to the previous PRI segment. Example: RNG+1+PCE:20:29' The price range is from 20 to 29 pieces.			

6. Segments Layout

Detail section

Segment number: 47

SG17	- C	1000	- PGI-SG21-SG36
SG36	- C	999999	- LIN-PIA-IMD-MEA-QTY-ALI-DTM-FTX-SG37-SG38-SG40-SG41-SG47-SG51-SG56
SG40	- C	100	- PRI
PRI	- M	1	- Price details
Description: To specify price information.			
Business Term	DE	EDIFACT	EAN * GER Description
	C509	C	R
	5125	M an..3	M
			AAB = Calculation gross
Single price per invoiced unit gross	5118	C n..15	A
Segment notes: Segmentstatus: Optional This segment is used to provide the gross price. Example: PRI+AAB:9.98' The gross price is 9.98 EURO.			

6. Segments Layout

Detail section

Segment number: 48

SG17	- C	1000	- PGI-SG21-SG36
SG36	- C	999999	- LIN-PIA-IMD-MEA-QTY-ALI-DTM-FTX-SG37-SG38-SG40-SG41-SG47-SG51-SG56
SG40	- C	100	- PRI-CUX-LOC
PRI	- M	1	- Price details
Description: To specify price information.			
Business Term	DE	EDIFACT	EAN * GER Description
	C509	C	R
	5125	M an..3	M
Retail price	5118	C n..15	R
	5375	C an..3	O
	5387	C an..3	O
<p>AAE = Information price, excluding allowances or charges, including taxes</p> <p>SRP = Suggested retail price</p>			
Segment notes:			
Segmentstatus: Conditional			
Example: PRI+AAE:19.98::SRP'			
The suggested retail price per piece is 19.98 EURO incl. tax.			

6. Segments Layout

Detail section

Segment number: 49

SG17	- C	1000	- PGI-SG21-SG36
SG36	- C	999999	- LIN-PIA-IMD-MEA-QTY-ALI-DTM-FTX-SG37-SG38-SG40-SG41-SG47-SG51-SG56
SG47	- C	999	- PAC
PAC	- M	1	- Package
Description: To describe the number and type of packages/physical units.			
Business Term	DE	EDIFACT	EAN * GER Description
	7224	C n..8	O
	C531	C	O
	7075	C an..3	O N
Marked with price	7233	C an..3	O
53 = Package price marked			
Segment notes: Segmentstatus: Conditional Example: PAC++:53' The article is marked with a price.			

6. Segments Layout

Detail section

Segment number: 50

SG17	- C	1000	- PGI-SG21-SG36
SG36	- C	999999	- LIN-PIA-IMD-MEA-QTY-ALI-DTM-FTX-SG37-SG38-SG40-SG41-SG47-SG51-SG56
SG47	- C	999	- PAC
PAC	- M	1	- Package
Description: To describe the number and type of packages/physical units.			
Business Term	DE	EDIFACT	EAN * GER Description
	7224	C n..8	O
	C531	C	O
	7075	C an..3	O N
Marked with barcode	7233	C an..3	O
<p>50 = Package barcoded EAN-13 or EAN-8 51 = Package barcoded ITF-14 52 = Package barcoded UCC or EAN-128</p>			
Segment notes: Segmentstatus: Conditional Example: PAC++:50' The article is marked with a barcode.			

6. Segments Layout

Detail section

Segment number: 51

SG17	- C	1000	- PGI-SG21-SG36
SG36	- C	999999	- LIN-PIA-IMD-MEA-QTY-ALI-DTM-FTX-SG37-SG38-SG40-SG41-SG47-SG51-SG56
SG47	- C	999	- PAC
PAC	- M	1	- Package

Description:

To describe the number and type of packages/physical units.

Business Term	DE	EDIFACT	EAN	*	GER	Description
	7224	C n..8	O			
	C531	C	O			
	7075	C an..3	O		N	
	7233	C an..3	O			
	7073	C an..3	O		N	
	C202	C	O			
Type of package	7065	C an..17	A			BX = Box CR = Crate CT = Carton Textile meaning: lying RJ = Rack, clothing hanger Textile meaning: hanging
	1131	C an..17	O			
	3055	C an..3	D			9 = GS1

Segment notes:

Segmentstatus: Conditional

Example: PAC+++RJ::9'

The article is delivered hanging on racks.

6. Segments Layout

Detail section

Segment number: 52

SG17	- C	1000	- PGI-SG21-SG36
SG36	- C	999999	- LIN-PIA-IMD-MEA-QTY-ALI-DTM-FTX-SG37-SG38-SG40-SG41-SG47-SG51-SG56
SG47	- C	999	- PAC
PAC	- M	1	- Package

Description:

To describe the number and type of packages/physical units.

Business Term	DE	EDIFACT	EAN	*	GER	Description
	7224	C n..8	O		N	
	C531	C	O			
	7075	C an..3	O		R	1 = Inner Indicates that the information is related to the content
	7233	C an..3	O		N	
	7073	C an..3	O		N	
	C202	C	O			
	7065	C an..17	A			CT = Carton Textile meaning: lying RJ = Rack, clothing hanger Textile meaning: hanging
	1131	C an..17	M			SKB Standard clothes hanger
	3055	C an..3	D			92 = Assigned by buyer or buyer's agent 246 = GS1 Germany
Clothes hanger type	7064	C an..35	O		R	

Segment notes:

Segmentstatus: Conditional

This segment is only used to order textiles on clothes hangers.

If clothes hangers are used according SKRS recommendation (see Introduction) in DE 7064, DE 3055 is provided with code "246" otherwise "92".

Example: PAC++1+RJ:SKB:246:4023330990014'

The article is packed on clothes hanger type 4023330990014 according SKRS recommendation.

6. Segments Layout

Detail section

Segment number: 53

SG17	- C	1000	- PGI-SG21-SG36
SG36	- C	999999	- LIN-PIA-IMD-MEA-QTY-ALI-DTM-FTX-SG37-SG38-SG40-SG41-SG47-SG51-SG56
SG51	- C	99	- EFI-COM
EFI	- M	1	- External file link identification

Description:

To specify the link of one non-EDIFACT external file to an EDIFACT message.

Business Term	DE	EDIFACT	EAN	*	GER	Description
	C077	M	M			
Name of file	1508	C an..35	R			
	7008	C an..256	O			
	C099	C	R			
Format of file	1516	M an..17	M			
	1056	C an..9	N			
	1503	C an..3	R			3 = Binary

Segment notes:

Segmentstatus: Conditional

This segment is used to identify an external object by indicating its identification and the format.

Example: EFI+EANCOM+html::3'

The object is a html file named EANCOM.

6. Segments Layout

Detail section

Segment number: 54

SG17	- C	1000	- PGI-SG21-SG36
SG36	- C	999999	- LIN-PIA-IMD-MEA-QTY-ALI-DTM-FTX-SG37-SG38-SG40-SG41-SG47-SG51-SG56
SG51	- C	99	- EFI-COM
COM	- C	9	- Communication contact
Description: To identify a communication number of a department or a person to whom communication should be directed.			
Business Term	DE	EDIFACT	EAN * GER Description
	C076	M	M
Address in the internet	3148	M an..512	M
	3155	M an..3	M WWW = WWW-Site (GS1 Code)
Segment notes: Segmentstatus: Conditional This segment is used to identify the communication address where the external object is to be found. Example: COM+www.gs1-germany.de:WWW' The address in the internet is: www.gs1-germany.de			

6. Segments Layout

Segment number: 55

SG17	- C	1000	- PGI-SG21-SG36
SG36	- C	999999	- LIN-PIA-IMD-MEA-QTY-ALI-DTM-FTX-SG37-SG38-SG40-SG41-SG47-SG51-SG56
SG56	- C	999	- HYN-QTY
HYN	- M	1	- Hierarchy information
Description:			
A segment to identify hierarchical connections from a given item to a higher or lower levelled item or to identify dependencies among the content of hierarchically related groups of data.			
Business Term	DE	EDIFACT	EAN * GER Description
	7173	M an..3	M 2 = Product
	7171	C an..3	R 2 = Child
	1229	C an..3	A
	C212	C	M
GTIN	7140	C an..35	R
	7143	C an..3	R SRV = GS1 Global Trade Item Number SA = Supplier's article number
Segment notes:			
Segmentstatus: Conditional			
This segment is used to provide hierarchical product information related to the current line item.			
Example: HYN+2+2++4012345123456:SRV'			
This example indicates that the GTIN 4012345123456 of the HYN segment is a child in the product hierarchy to the GTIN identified in the LIN segment.			

6. Segments Layout

Detail section

Segment number: 56

SG17	- C	1000	- PGI-SG21-SG36
SG36	- C	999999	- LIN-PIA-IMD-MEA-QTY-ALI-DTM-FTX-SG37-SG38-SG40-SG41-SG47-SG51-SG56
SG56	- C	999	- HYN-QTY
QTY	- C	9	- Quantity
Description: To specify a pertinent quantity.			
Business Term	DE	EDIFACT	EAN * GER Description
	C186	M	M
	6063	M an..3	M
			45E = Number of units in higher packaging or configuration level (GS1 Code)
Quantity	6060	M an..35	M Use only numeric values.
Segment notes: Segmentstatus: Mandatory Example: QTY+45E:20' The quantity is 20 pieces.			

6. Segments Layout

Summen-Teil

End of the message

Segment number: 57

UNT - M 1 - Message trailer						
Description: To end and check the completeness of a message.						
Business Term	DE	EDIFACT	EAN	*	GER	Description
Number of segments within a message	0074	M n..6	M			
	0062	M an..14	M			The reference number from the UNH segment must be repeated here Same contents as DE 0062 in the UNH segment
Segment notes: Segmentstatus: Mandatory This segment is a mandatory UN/EDIFACT segment. It must always be the last segment in the message. Example: UNT+63+ME0001' Number of segments in the message.						

6. Segments Layout

Segment number: 58

UNZ - M 1 - Interchange trailer						
Description: To end and check the completeness of an interchange.						
Business Term	DE	EDIFACT	EAN	*	GER	Description
End of the transmission file, Number of messages or message groups	0036	M n..6	M			Number of messages or message groups in the transmission file.
Interchange control reference, end	0020	M an..14	M			Interchange control reference, identical with UNB DE 0020.
Segment notes: The UNZ segment is the last segment of the transmission file. Note DE 0036: If functional groups are not used, this is the number of messages within the interchange. Example: UNZ+1+4711' The transmission file contains 1 message.						

7. EANCOM® Segments Layout

Segment number: 1

UNA - C 1 - Service string advice						
Description:						
To define the characters selected for use as delimiters and indicators in the rest of the interchange that follows.						
		EDIFACT	EAN	*	GER	Description:
UNA1	Component data element separator	M an1	M			Component data element separator Default value: ":"
UNA2	Data element separator	M an1	M			Data element separator Default value: "+"
UNA3	Decimal notation	M an1	M			Decimal notation Default value: "."
UNA4	Release indicator	M an1	M			Release character Default value: "?"
UNA5	Reserved for future use	M an1	M			Reserved for future use (Default value: space)
UNA6	Segment terminator	M an1	M			Segment terminator Default value: "' "
Segment notes:						
<p>The use of the UNA segment is mandatory, if character set "A" (UNB,DE0001) is not used. For international EDI the use of character set UNOA is recommended. For national (German) EDI the use of UNOC is reasonable because it contains lower case letters and umlauts.</p> <p>Example: UNA:+.? ' The UNA segment contains the default service string characters.</p>						

7. EANCOM® Segments Layout

Segment number: 2

UNB - M 1 - Interchange header						
Description: To start, identify and specify an interchange.						
		EDIFACT	EAN	*	GER	Description:
S001	SYNTAX IDENTIFIER	M	M			
0001	Syntax identifier	M a4	M			Character set UNOA = UN/ECE level A UNOB = UN/ECE level B UNOC = UN/ECE level C UNOD = UN/ECE level D UNOE = UN/ECE level E UNOF = UN/ECE level F
0002	Syntax version number	M n1	M			Syntax version 3 = Version 3
S002	INTERCHANGE SENDER	M	M			
0004	Sender identification	M an..35	M			Identification of the sender of the transmission file = Global Location Number (GLN)
0007	Partner identification code qualifier	C an..4	R			14 = GS1
0008	Address for reverse routing	C an..14	O			Address for reverse routing See note
S003	INTERCHANGE RECIPIENT	M	M			
0010	Recipient identification	M an..35	M			Identification of the receiver of the transmission file = Global Location Number (GLN)
0007	Partner identification code qualifier	C an..4	R			14 = GS1
0014	Routing address	C an..14	O			Routing address See note
S004	DATE/TIME OF PREPARATION	M	M			
0017	Date of preparation	M n6	M			File creation date = Dateformat JJMMTT
0019	Time of preparation	M n4	M			File creation time = Timeformat HHMM
0020	Interchange control reference	M an..14	M			Interchange control reference, beginnig = Unique senders reference
S005	RECIPIENT'S REFERENCE, PASSWORD	C	O			
0022	Recipient's reference/ password	M an..14	M			Password interchange
0025	Recipient's reference/ password qualifier	C an2	O			AA = Reference BB = Password
0026	Application reference	C an..14	O			Application reference Message type if the transmission fole contains only one message type
0029	Processing priority code	C a1	O			A = Highest priority
0031	Acknowledgement request	C n1	O			Acknowledgement request
	Communications agreement					EANCOM

7. EANCOM® Segments Layout

Segment number: 2

	EDIFACT	EAN	*	GER	Description:
0032 ID	C an..35	O		R	= EANCOM... EDIFACT subset identification (see note)
0035 Test indicator	C n1	O			Test indicator 1 = Interchange is a test

Segment notes:

This segment is used to envelope the interchange, as well as to identify both, the party to whom the interchange is sent and the party who has sent the interchange.

For international EDI the use of character set UNOA is recommended. For national (German) EDI the use of UNOC is reasonable because it contains lower case letters and umlauts.

Note DE 0008:

The address for reverse routing is provided by the interchange sender to inform the interchange recipient of the address within the sender's (source) system to which responding interchanges must be sent. It is recommended that the GLN be used for this purpose.

Note DE 0014:

The routing address is used to identify the receiver, if a provider adds service values for the actual receiver (e.g. consolidated companies, corporate group). The use of the identification system (e.g. GLN) has to be agreed bilaterally.

Note DE 0020:

This data element must contain a consistent sequential number per interchange between sender and receiver of the transmission.

Note DE 0032: This data element is used to identify any underlying agreements which control the exchange of data. Within EANCOM, the identity of such agreements must start with the letters 'EANCOM', the remaining characters within the data element being filled according to bilateral agreements.

Example:

4 UNB+UNOC:3+4012345000009:14:4012345000018+4000004000002:14:4000004000099+101013:10
3+4711+REF:AA++++EANCOM+1'
The EANCOM file 4711 dated 13.10.2010, 10 h 43 is sent by the issuer identified with GLN 4012345000009 to the receiver identified with GLN 4000004000002.

7. EANCOM® Segments Layout

Heading section

Segment number: 3

UNH - M 1 - Message header						
Description:						
To head, identify and specify a message.						
		EDIFACT	EAN	*	GER	Description:
0062	Message reference number	M an..14	M			Message reference number Sends unique message reference. Sequence number of messages in the interchange. DE 0062 in UNT will have the same value. Generated by the sender.
S009	MESSAGE IDENTIFIER	M	M			
0065	Message type	M an..6	M	*		PRICAT = Price/sales catalogue message
0052	Message version number	M an..3	M	*		D = Draft version/UN/EDIFACT Directory
0054	Message release number	M an..3	M	*		01B = Release 2001 - B
0051	Controlling agency	M an..2	M	*		UN = UN/CEFACT
0057	Association assigned code	C an..6	R	*		EAN009 = GS1 version control number (GS1 Code)
0068	Common access reference	C an..35	N			
Segment notes:						
Segmentstatus: Mandatory						
This segment is used to head, identify and specify a message.						
DE's 0065, 0052, 0054, and 0051: Indicate that the message is a UNSM Price/Sales Catalogue based on the D. 01B directory under the control of the United Nations.						
Example: UNH+ME0001+PRICAT:D:01B:UN:EAN009'						
The reference number of the PRICAT message is ME0001.						

7. EANCOM® Segments Layout

Heading section

Segment number: 4

BGM - M 1 - Beginning of message						
Description:						
To indicate the type and function of a message and to transmit the identifying number.						
		EDIFACT	EAN	*	GER	Description:
C002	DOCUMENT/MESSAGE NAME	C	R			
1001	Document name code	C an..3	R	*		9 = Price/sales catalogue
1131	Code list identification code	C an..17	N			
3055	Code list responsible agency code	C an..3	D	*		9 = GS1
1000	Document name	C an..35	O			This data element indicates the variante of the process model textile: ../04-2-2.pdf Process variant, coded
C106	DOCUMENT/MESSAGE IDENTIFICATION	C	R			
1004	Document identifier	C an..35	R			Price list number Price list number assigned by document sender
1225	Message function code	C an..3	R	*		9 = Original
4343	Response type code	C an..3	D			
Segment notes:						
Segmentstatus: Mandatory						
This segment is used to indicate the type and function of a message and to transmit the identifying number of the document.						
Example: BGM+9::9+128576+9' The document number is 128576.						

7. EANCOM® Segments Layout

Heading section

Segment number: 5

DTM - M 35 - Date/time/period						
Description:						
To specify date, and/or time, or period.						
		EDIFACT	EAN	*	GER	Description:
C507	DATE/TIME/PERIOD	M	M			
2005	Date or time or period function code qualifier	M an..3	M			137 = Document/message date/time
2380	Date or time or period value	C an..35	R			Creation date
2379	Date or time or period format code	C an..3	R			102 = CCYYMMDD 203 = CCYYMMDDHHMM
Segment notes:						
Segmentstatus: Mandatory						
This segment is used to specify any dates applicable to the complete price list message.						
DE 2005: Identification of the 'Document/message date/time' (code value 137) is mandatory in an EANCOM message.						
Example: DTM+137:20081209:102'						
The message was created on 09.12.2008.						

7. EANCOM® Segments Layout

Segment number: 6

DTM - M 35 - Date/time/period						
Description: To specify date, and/or time, or period.						
		EDIFACT	EAN	*	GER	Description:
C507	DATE/TIME/PERIOD	M	M			
2005	Date or time or period function code qualifier	M an..3	M			157 = Validity start date
2380	Date or time or period value	C an..35	R			Validity, start date
2379	Date or time or period format code	C an..3	R			102 = CCYYMMDD
Segment notes: Segmentstatus: Conditional Example: DTM+157:20090526:102' The validity period starts with the 26th of May 2009 .						

7. EANCOM® Segments Layout

Heading section

Segment number: 7

SG2	- C	99 - NAD-SG3				
NAD	- M	1 - Name and address				
Description:						
To specify the name/address and their related function, either by C082 only and/or unstructured by C058 or structured by C080 thru 3207.						
		EDIFACT	EAN	*	GER	Description:
3035	Party function code qualifier	M an..3	M			SU = Supplier
C082	PARTY IDENTIFICATION DETAILS	C	A			
3039	Party identifier	M an..35	M			Identification of supplier Global Location Number (GLN) - Format n13
1131	Code list identification code	C an..17	N			
3055	Code list responsible agency code	C an..3	R	*		9 = GS1
C058	NAME AND ADDRESS	C	O			This composite may only be used to fulfill the requirements of directive 2003/58/EG, article 4. If applicable the message sender gets the possibility to give the relevant statements at this place. If C058 ist not sufficient, more declaration can be given in following RFF+GN... segments.
3124	Name and address description	M an..35	M			
3124	Name and address description	C an..35	O			
3124	Name and address description	C an..35	O			
3124	Name and address description	C an..35	O			
3124	Name and address description	C an..35	O			
Segment notes:						
Segmentstatus: Mandatory						
Within EANCOM it is mandatory to identify the supplier/manufacturer by Global Location Number (GLN).						
Example: NAD+SU+4012345000009::9'						
The supplier/manufacturer is identified by Global Location Number (GLN) 4012345000009.						

7. EANCOM® Segments Layout

Heading section

Segment number: 8

SG2	- C	99 - NAD-SG3
SG3	- C	10 - RFF
RFF	- M	1 - Reference
Description: To specify a reference.		
	EDIFACT	EAN * GER Description:
C506	REFERENCE	M M
1153	Reference code qualifier	M an..3 M GN = Government reference number
1154	Reference identifier	C an..70 R Statements on business letters
Segment notes: Segmentstatus: Depending This RFF segment may only be used if the preceeding NAD has not enough space to fulfill the requirements of directive 2003/58/EG, article 4. Example: RFF+GN:HRB-471111' German statements on business letters: HRB-471111		

7. EANCOM® Segments Layout

Heading section

Segment number: 9

SG2	- C	99 - NAD				
NAD	- M	1 - Name and address				
Description:						
To specify the name/address and their related function, either by C082 only and/or unstructured by C058 or structured by C080 thru 3207.						
			EDIFACT	EAN	*	GER
			Description:			
3035	Party function code qualifier	M an..3	M			MR = Message recipient
C082	PARTY IDENTIFICATION DETAILS	C	A			
3039	Party identifier	M an..35	M			Identification of receiver Global Location Number (GLN) - Format n13
1131	Code list identification code	C an..17	N			
3055	Code list responsible agency code	C an..3	R	*		9 = GS1
Segment notes:						
Segmentstatus: Mandatory						
Within EANCOM it is mandatory to identify the receiver by Global Location Number (GLN).						
Example: NAD+MR+4398765000004::9'						
The price list is valid for the receiver with the Global Location Number (GLN) 4398765000004.						

7. EANCOM® Segments Layout

Heading section

Segment number: 10

SG5	- C	5 - TAX				
TAX	- M	1 - Duty/tax/fee details				
Description:						
To specify relevant duty/tax/fee information.						
		EDIFACT	EAN	*	GER	Description:
5283	Duty or tax or fee function code qualifier	M an..3	M			7 = Tax
C241	DUTY/TAX/FEE TYPE	C	D			
5153	Duty or tax or fee type name code	C an..3	O			Value added tax on header level VAT = Value added tax
1131	Code list identification code	C an..17	O			
3055	Code list responsible agency code	C an..3	D			
5152	Duty or tax or fee type name	C an..35	O			
C533	DUTY/TAX/FEE ACCOUNT DETAIL	C	O			
5289	Duty or tax or fee account code	M an..6	M			
1131	Code list identification code	C an..17	O			
3055	Code list responsible agency code	C an..3	D			
5286	Duty or tax or fee assessment basis value	C an..15	O			
C243	DUTY/TAX/FEE DETAIL	C	A			
5279	Duty or tax or fee rate code	C an..7	O			
1131	Code list identification code	C an..17	O			
3055	Code list responsible agency code	C an..3	D			
5278	Duty or tax or fee rate	C an..17	R			Actual tax rate
5273	Duty or tax or fee rate basis code	C an..12	O			
1131	Code list identification code	C an..17	O			
3055	Code list responsible agency code	C an..3	D			
5305	Duty or tax or fee category code	C an..3	D		R	E = Exempt from tax S = Standard rate O = Services outside scope of tax (nicht steuerbarer Umsatz)
Segment notes:						
Segmentstatus: Mandatory						
Note to DE 5278 and 5305: if the business volume is free of tax, DE 5278 must contain 0 (zero).						
Example: TAX+7+VAT+++:::19+S'						
The VAT rate for the price list is 19%.						

7. EANCOM® Segments Layout

Heading section

Segment number: 11

SG6	- C	20 - CUX				
CUX	- M	1 - Currencies				
Description:						
To specify currencies used in the transaction and relevant details for the rate of exchange.						
			EDIFACT	EAN	*	GER
			Description:			
C504	CURRENCY DETAILS		C	R		
6347	Currency usage code qualifier		M an..3	M	*	2 = Reference currency
6345	Currency identification code		C an..3	R		Currency code ISO 4217 3-Alpha Code
6343	Currency type code qualifier		C an..3	R	*	8 = Price list currency
Segment notes:						
Segmentstatus: Conditional						
This segment is used to indicate currency specification for the entire price list.						
Example: CUX+2:EUR:9' The currency of the price list is EURO						

7. EANCOM® Segments Layout

Detail section

Segment number: 12

SG17	- C	1000 - PGI-SG21-SG36				
PGI	- M	1 - Product group information				
Description:						
To indicate the group in which a product belongs.						
		EDIFACT	EAN	*	GER	Description:
5379	Product group type code	M an..3	M	*		3 = Catalogue 11 = Product group
C288	PRODUCT GROUP	C	O			
5389	Product group name code	C an..25	O			Name of grouping, code
1131	Code list identification code	C an..17	O			Code list name
3055	Code list responsible agency code	C an..3	D			91 = Assigned by supplier or supplier's agent
5388	Product group name	C an..35	O			
Segment notes:						
Segmentstatus: Mandatory						
This segment is used to group a set of related products together.						
The detail section of the Price/Sales Catalogue starts with the PGI segment. PGI is used to group products, by price, by product type, by buying group, and/or by supplier/manufacturer.						
Example: PGI+11+TB:BEISPIEL:91'						
This example shows the grouping TB of the codelist "BEISPIEL" generated by the supplier.						

7. EANCOM® Segments Layout

Detail section

Segment number: 13

SG17	- C	1000	- PGI-SG21-SG36			
SG36	- C	999999	- LIN-PIA-IMD-MEA-QTY-ALI-DTM-FTX-SG37-SG38-SG40-SG41-SG47-SG51-SG56			
LIN	- M	1	- Line item			
Description: To identify a line item and configuration.						
		EDIFACT	EAN	*	GER	Description:
1082	Line item identifier	C an..6	R			Line item number Application generated line item number
1229	Action request/notification description code	C an..3	A	*		1 = Added 2 = Deleted 3 = Changed Attribute of generation
C212	ITEM NUMBER IDENTIFICATION	C	D			
7140	Item identifier	C an..35	R			GTIN GTIN, Format n..14
7143	Item type identification code	C an..3	R	*		SRV = GS1 Global Trade Item Number
Segment notes: Segmentstatus: Mandatory The LIN-segment is used to specify the line item. In this segment the GTIN is indicated as item identification. Example: LIN+1+1+4000004000035:SRV' The line item with number 1 is identified by GTIN 4000004000035.						

7. EANCOM® Segments Layout

Detail section

Segment number: 14

SG17	- C	1000	- PGI-SG21-SG36			
SG36	- C	999999	- LIN-PIA-IMD-MEA-QTY-ALI-DTM-FTX-SG37-SG38-SG40-SG41-SG47-SG51-SG56			
PIA	- C	99	- Additional product id			
Description: To specify additional or substitutional item identification codes.						
		EDIFACT	EAN	*	GER	Description:
4347	Product identifier code qualifier	M an..3	M	*		1 = Additional identification
C212	ITEM NUMBER IDENTIFICATION	M	M			
7140	Item identifier	C an..35	R			Suppliers article number (secondary indent.)
7143	Item type identification code	C an..3	R			SA = Supplier's article number
Segment notes: Segmentstatus: Conditional This segment is used to advise the suppliers article number additionally to GTIN. Example: PIA+1+7788:SA' The product with GTIN 4056786542381 is additionally identified with suppliers article number 7788.						

7. EANCOM® Segments Layout

Detail section

Segment number: 15

SG17	- C	1000	- PGI-SG21-SG36			
SG36	- C	999999	- LIN-PIA-IMD-MEA-QTY-ALI-DTM-FTX-SG37-SG38-SG40-SG41-SG47-SG51-SG56			
PIA	- C	99	- Additional product id			
Description: To specify additional or substitutional item identification codes.						
		EDIFACT	EAN	*	GER	Description:
4347	Product identifier code qualifier	M an..3	M	*		1 = Additional identification
C212	ITEM NUMBER IDENTIFICATION	M	M			
7140	Item identifier	C an..35	R			Batch number
7143	Item type identification code	C an..3	R			NB = Batch number
C212	ITEM NUMBER IDENTIFICATION	C	O			
7140	Item identifier	C an..35	R			Harmonised system
7143	Item type identification code	C an..3	R			HS = Harmonised system
C212	ITEM NUMBER IDENTIFICATION	C	O			
7140	Item identifier	C an..35	R			Articles promotional variant
7143	Item type identification code	C an..3	R			PV = Promotional variant number
C212	ITEM NUMBER IDENTIFICATION	C	C			
7140	Item identifier	C an..35	R			Model number
7143	Item type identification code	C an..3	R			MN = Model number
Segment notes: Segmentstatus: Conditional This segment is used if the previous PIA segment can not provide all relevant information. Note: One PIA segment with five C212 or five Pia segments with one C212 each can be used in the same way, if the content of DE 4347 is identical. Example: PIA+1+CH-5343:NB+XYZ987:HS+4012368259753:PV+ABC123:MN' Batch number, Harmonized system, Promotional variant, model number						

7. EANCOM® Segments Layout

Detail section

Segment number: 16

SG17	- C	1000 - PGI-SG21-SG36				
SG36	- C	999999 - LIN-PIA-IMD-MEA-QTY-ALI-DTM-FTX-SG37-SG38-SG40-SG41-SG47-SG51-SG56				
PIA	- C	99 - Additional product id				
Description: To specify additional or substitutional item identification codes.						
		EDIFACT	EAN	*	GER	Description:
4347	Product identifier code qualifier	M an..3	M	*		1 = Additional identification
C212	ITEM NUMBER IDENTIFICATION	M	M			
7140	Item identifier	C an..35	R			Class of goods
7143	Item type identification code	C an..3	R			GD = Industry sector article group number/product classification code (GS1 Code)
1131	Code list identification code	C an..17	O		R	BTE (Fixwert) DTB (Fixwert) FEDAS (Fixwert)
3055	Code list responsible agency code	C an..3	D		R	9 = GS1
Segment notes: Segmentstatus: Conditional This segment display the classification of articles. Example: PIA+1+4711:GD:BTE:9' The article belongs to the class of goods "4711" according the classification system of BTE						

7. EANCOM® Segments Layout

Detail section

Segment number: 17

SG17	- C	1000	- PGI-SG21-SG36			
SG36	- C	999999	- LIN-PIA-IMD-MEA-QTY-ALI-DTM-FTX-SG37-SG38-SG40-SG41-SG47-SG51-SG56			
IMD	- C	999	- Item description			
Description: To describe an item in either an industry or free format.						
		EDIFACT	EAN	*	GER	Description:
7077	Description format code	C an..3	R			F = Free-form
C272	ITEM CHARACTERISTIC	C	C			
7081	Item characteristic code	C an..3	R			ANM = Article name (GS1 Code)
1131	Code list identification code	C an..17	O			
3055	Code list responsible agency code	C an..3	D			9 = GS1
C273	ITEM DESCRIPTION	C	C			
7009	Item description code	C an..17	O			
1131	Code list identification code	C an..17	O			
3055	Code list responsible agency code	C an..3	D			
7008	Item description	C an..256	C			Name of article
7008	Item description	C an..256	O			
3453	Language name code	C an..3	O			DE = German
Segment notes: Segmentstatus: Mandatory This segment is used to provide a description for the current line item. Example: IMD+F+ANM::9+:::FASHION2009::DE' Name of Artikel: Fashion2009						

7. EANCOM® Segments Layout

Detail section

Segment number: 18

SG17	- C	1000	- PGI-SG21-SG36			
SG36	- C	999999	- LIN-PIA-IMD-MEA-QTY-ALI-DTM-FTX-SG37-SG38-SG40-SG41-SG47-SG51-SG56			
IMD	- C	999	- Item description			
Description: To describe an item in either an industry or free format.						
		EDIFACT	EAN	*	GER	Description:
7077	Description format code	C an..3	R	*		A = Free-form long description
C272	ITEM CHARACTERISTIC	C	N		N	
7081	Item characteristic code	C an..3	R			
C273	ITEM DESCRIPTION	C	A		R	
7009	Item description code	C an..17	O		N	
1131	Code list identification code	C an..17	O		N	
3055	Code list responsible agency code	C an..3	D		N	
7008	Item description	C an..256	O		R	Article long description
7008	Item description	C an..256	O		N	
3453	Language name code	C an..3	O			DE = German EN = English ISO 639 2-Alpha Code
Segment notes: Segmentstatus: Optional This segment is used to provide a description for the current line item. Example: IMD+A+++::Fashion::DE' Article long description: Fashion						

7. EANCOM® Segments Layout

Detail section

Segment number: 19

SG17	- C	1000	- PGI-SG21-SG36			
SG36	- C	999999	- LIN-PIA-IMD-MEA-QTY-ALI-DTM-FTX-SG37-SG38-SG40-SG41-SG47-SG51-SG56			
IMD	- C	999	- Item description			
Description: To describe an item in either an industry or free format.						
		EDIFACT	EAN	*	GER	Description:
7077	Description format code	C an..3	R			D = Free-form price look up
C272	ITEM CHARACTERISTIC	C	C			
7081	Item characteristic code	C an..3	R			ANM = Article name (GS1 Code)
1131	Code list identification code	C an..17	O			
3055	Code list responsible agency code	C an..3	D			9 = GS1
C273	ITEM DESCRIPTION	C	C			
7009	Item description code	C an..17	O			
1131	Code list identification code	C an..17	O			
3055	Code list responsible agency code	C an..3	D			
7008	Item description	C an..256	C			Text on the sales slip
7008	Item description	C an..256	O			
3453	Language name code	C an..3	O			DE = German
Segment notes: Segmentstatus: Optional This segment is used to provide a description for the current line item. Example: IMD+D+:::FASHION2009::DE' The short description is "Fashion2009 (e.g. sales slip)						

7. EANCOM® Segments Layout

Segment number: 20

SG17	- C	1000	- PGI-SG21-SG36			
SG36	- C	999999	- LIN-PIA-IMD-MEA-QTY-ALI-DTM-FTX-SG37-SG38-SG40-SG41-SG47-SG51-SG56			
IMD	- C	999	- Item description			
Description: To describe an item in either an industry or free format.						
		EDIFACT	EAN	*	GER	Description:
7077	Description format code	C an..3	R			F = Free-form
C272	ITEM CHARACTERISTIC	C	C			
7081	Item characteristic code	C an..3	R			BRN = Brand name (GS1 Code)
1131	Code list identification code	C an..17	O			
3055	Code list responsible agency code	C an..3	D			9 = GS1
C273	ITEM DESCRIPTION	C	C			
7009	Item description code	C an..17	O			
1131	Code list identification code	C an..17	O			
3055	Code list responsible agency code	C an..3	D			
7008	Item description	C an..256	O			Brandname
7008	Item description	C an..256	O			
3453	Language name code	C an..3	O			DE = German
Segment notes: Example: IMD+F+BRN::9+::CFB FASHION::DE' The brand name is: CFB Fashion						

7. EANCOM® Segments Layout

Detail section

Segment number: 21

SG17	- C	1000	- PGI-SG21-SG36			
SG36	- C	999999	- LIN-PIA-IMD-MEA-QTY-ALI-DTM-FTX-SG37-SG38-SG40-SG41-SG47-SG51-SG56			
IMD	- C	999	- Item description			
Description: To describe an item in either an industry or free format.						
		EDIFACT	EAN	*	GER	Description:
7077	Description format code	C an..3	R	*		F = Free-form
C272	ITEM CHARACTERISTIC	C	O		R	
7081	Item characteristic code	C an..3	R			XX5 = Campaign name (GS1 Code)
1131	Code list identification code	C an..17	O			
3055	Code list responsible agency code	C an..3	D	*		9 = GS1
C273	ITEM DESCRIPTION	C	A		R	
7009	Item description code	C an..17	O			
1131	Code list identification code	C an..17	O			
3055	Code list responsible agency code	C an..3	D			
7008	Item description	C an..256	O		R	Topic 7 programme
7008	Item description	C an..256	O		N	
3453	Language name code	C an..3	O			DE = German EN = English ISO 639 2-Alpha Code
Segment notes: Segmentstatus: Optional This segment is used to provide a description for the current line item. Example: IMD+F+XX5::9+:::Sommerschlussverkauf::DE' Name of the campaign: Sommerschlussverkauf						

7. EANCOM® Segments Layout

Detail section

Segment number: 22

SG17	- C	1000	- PGI-SG21-SG36			
SG36	- C	999999	- LIN-PIA-IMD-MEA-QTY-ALI-DTM-FTX-SG37-SG38-SG40-SG41-SG47-SG51-SG56			
IMD	- C	999	- Item description			
Description: To describe an item in either an industry or free format.						
		EDIFACT	EAN	*	GER	Description:
7077	Description format code	C an..3	R	*		A = Free-form long description
C272	ITEM CHARACTERISTIC	C	O		N	
7081	Item characteristic code	C an..3	R			TPE = Article type (GS1 Code)
C273	ITEM DESCRIPTION	C	A		R	
7009	Item description code	C an..17	O		N	
1131	Code list identification code	C an..17	O		N	
3055	Code list responsible agency code	C an..3	D		N	
7008	Item description	C an..256	O		R	Type description
7008	Item description	C an..256	O		N	
3453	Language name code	C an..3	O			DE = German EN = English ISO 639 2-Alpha Code
Segment notes: Segmentstatus: Optional This segment is used to provide a description for the current line item. Example: IMD+A+TPE+:::Fashion::DE' The model description is: Fashion						

7. EANCOM® Segments Layout

Detail section

Segment number: 23

SG17	- C	1000	- PGI-SG21-SG36			
SG36	- C	999999	- LIN-PIA-IMD-MEA-QTY-ALI-DTM-FTX-SG37-SG38-SG40-SG41-SG47-SG51-SG56			
IMD	- C	999	- Item description			
Description: To describe an item in either an industry or free format.						
		EDIFACT	EAN	*	GER	Description:
7077	Description format code	C an..3	O	*		B = Code and text F = Free-form
C272	ITEM CHARACTERISTIC	C	O		R	
7081	Item characteristic code	C an..3	R			35 = Colour
1131	Code list identification code	C an..17	O		N	
3055	Code list responsible agency code	C an..3	D	*		
C273	ITEM DESCRIPTION	C	R			
7009	Item description code	C an..17	O		D	Colour, identifier
1131	Code list identification code	C an..17	O			
3055	Code list responsible agency code	C an..3	D			92 = Assigned by buyer or buyer's agent 91 = Assigned by supplier or supplier's agent
7008	Item description	C an..256	O		R	Colour
7008	Item description	C an..256	O		N	
3453	Language name code	C an..3	O			DE = German EN = English ISO 639 2-Alpha Code
Segment notes: Segmentstatus: Conditional						
This segment is used to provide a description for the current line item. This segment is used to provide information about colour if not coded in GTIN. The colour name is given in clear text by use of code value F in DE 7077. If additionally a colour identifier is provided in DE 7009 than code value B is used for DE 7077.						
Example: IMD+B+35::9+Col3012::91:PINK::DE' Colour: Pink (e.g. textile)						

7. EANCOM® Segments Layout

Detail section

Segment number: 24

SG17	- C	1000	- PGI-SG21-SG36			
SG36	- C	999999	- LIN-PIA-IMD-MEA-QTY-ALI-DTM-FTX-SG37-SG38-SG40-SG41-SG47-SG51-SG56			
IMD	- C	999	- Item description			
Description: To describe an item in either an industry or free format.						
		EDIFACT	EAN	*	GER	Description:
7077	Description format code	C an..3	O	*		B = Code and text F = Free-form
C272	ITEM CHARACTERISTIC	C	O		R	
7081	Item characteristic code	C an..3	R			SGR = Size grid (GS1 Code) alternatively: 98 = Size only non-numeric values
1131	Code list identification code	C an..17	O		N	
3055	Code list responsible agency code	C an..3	D	*		9 = GS1 Must be used if DE 7081 contains a GS1 Code
C273	ITEM DESCRIPTION	C	R			
7009	Item description code	C an..17	O		D	Size, identifier
1131	Code list identification code	C an..17	O		N	
3055	Code list responsible agency code	C an..3	D			92 = Assigned by buyer or buyer's agent 91 = Assigned by supplier or supplier's agent
7008	Item description	C an..256	O		R	Size, description
7008	Item description	C an..256	O		N	
3453	Language name code	C an..3	O			DE = German EN = English ISO 639 2-Alpha Code
Segment notes: Segmentstatus: Conditional This segment is used to provide a description for the current line item. This segment provides information about size if not coded in GTIN. The size name is given in clear text by use of code value F in DE 7077. If additionally a size identifier is provided in DE 7009 than code value B is used for DE 7077. Example: IMD+B+SGR::9+XXS::91:Extra small::DE' Size: XXS						

7. EANCOM® Segments Layout

Detail section

Segment number: 25

SG17	- C	1000	- PGI-SG21-SG36			
SG36	- C	999999	- LIN-PIA-IMD-MEA-QTY-ALI-DTM-FTX-SG37-SG38-SG40-SG41-SG47-SG51-SG56			
IMD	- C	999	- Item description			
Description: To describe an item in either an industry or free format.						
		EDIFACT	EAN	*	GER	Description:
7077	Description format code	C an..3	R	*		A = Free-form long description
C272	ITEM CHARACTERISTIC	C	O		N	
7081	Item characteristic code	C an..3	R			UP5 = Width or fitting (GS1 Code)
C273	ITEM DESCRIPTION	C	A		R	
7009	Item description code	C an..17	O		N	
1131	Code list identification code	C an..17	O		N	
3055	Code list responsible agency code	C an..3	D		N	
7008	Item description	C an..256	O		R	Correct fit
Segment notes: Segmentstatus: Optional This segment is used to provide the correct fit additionally to the size. Example: IMD+B+UP5+:::B' Cup B						

7. EANCOM® Segments Layout

Detail section

Segment number: 26

SG17	- C	1000	- PGI-SG21-SG36			
SG36	- C	999999	- LIN-PIA-IMD-MEA-QTY-ALI-DTM-FTX-SG37-SG38-SG40-SG41-SG47-SG51-SG56			
IMD	- C	999	- Item description			
Description: To describe an item in either an industry or free format.						
		EDIFACT	EAN	*	GER	Description:
7077	Description format code	C an..3	R	*		C = Code (from industry code list)
C272	ITEM CHARACTERISTIC	C	N		N	
7081	Item characteristic code	C an..3	R			
C273	ITEM DESCRIPTION	C	A		R	
7009	Item description code	C an..17	O		R	Ordering unit, yes/no NO = Not an ordering unit (GS1 Code) ORU = Ordering unit (GS1 Code)
1131	Code list identification code	C an..17	O		N	
3055	Code list responsible agency code	C an..3	D		R	9 = GS1
Segment notes: Segmentstatus: Mandatory This segment is used to provide a description for the current line item. Example: IMD+C++ORU::9' The article is an ordering unit.						

7. EANCOM® Segments Layout

Detail section

Segment number: 27

SG17	- C	1000	- PGI-SG21-SG36			
SG36	- C	999999	- LIN-PIA-IMD-MEA-QTY-ALI-DTM-FTX-SG37-SG38-SG40-SG41-SG47-SG51-SG56			
IMD	- C	999	- Item description			
Description: To describe an item in either an industry or free format.						
		EDIFACT	EAN	*	GER	Description:
7077	Description format code	C an..3	R	*		C = Code (from industry code list)
C272	ITEM CHARACTERISTIC	C	N		N	
7081	Item characteristic code	C an..3	R			
C273	ITEM DESCRIPTION	C	A		R	
7009	Item description code	C an..17	O		R	Delivery unit, yes/no DU = Despatch unit (GS1 Code) NDU = Not a despatch unit (GS1 Code)
1131	Code list identification code	C an..17	O		N	
3055	Code list responsible agency code	C an..3	D			9 = GS1
Segment notes: Segmentstatus: Mandatory This segment is used to provide a description for the current line item. Example: IMD+C++DU::9' The article is a despatch unit.						

7. EANCOM® Segments Layout

Detail section

Segment number: 28

SG17	- C	1000	- PGI-SG21-SG36			
SG36	- C	999999	- LIN-PIA-IMD-MEA-QTY-ALI-DTM-FTX-SG37-SG38-SG40-SG41-SG47-SG51-SG56			
IMD	- C	999	- Item description			
Description: To describe an item in either an industry or free format.						
		EDIFACT	EAN	*	GER	Description:
7077	Description format code	C an..3	R	*		C = Code (from industry code list)
C272	ITEM CHARACTERISTIC	C	N		N	
7081	Item characteristic code	C an..3	R			
C273	ITEM DESCRIPTION	C	A		R	
7009	Item description code	C an..17	O		R	Smallest unit, yes/no NS = Not smallest unit (GS1 Code) SU = Smallest unit (GS1 Code)
1131	Code list identification code	C an..17	O		N	
3055	Code list responsible agency code	C an..3	D			9 = GS1
Segment notes: Segmentstatus: Mandatory This segment is used to provide a description for the current line item. Example: IMD+C++SU::9' The article is the smallest unit.						

7. EANCOM® Segments Layout

Detail section

Segment number: 29

SG17	- C	1000	- PGI-SG21-SG36			
SG36	- C	999999	- LIN-PIA-IMD-MEA-QTY-ALI-DTM-FTX-SG37-SG38-SG40-SG41-SG47-SG51-SG56			
IMD	- C	999	- Item description			
Description: To describe an item in either an industry or free format.						
		EDIFACT	EAN	*	GER	Description:
7077	Description format code	C an..3	R	*		C = Code (from industry code list)
C272	ITEM CHARACTERISTIC	C	N		N	
7081	Item characteristic code	C an..3	R			
C273	ITEM DESCRIPTION	C	A		R	
7009	Item description code	C an..17	O		R	Consumer unit, yes/no CU = Consumer unit (GS1 Code) NCU = Not a consumer unit (GS1 Code)
1131	Code list identification code	C an..17	O		N	
3055	Code list responsible agency code	C an..3	D			9 = GS1
Segment notes: Segmentstatus: Mandatory This segment is used to provide a description for the current line item. Example: IMD+C++CU::9' The article is the consumer unit.						

7. EANCOM® Segments Layout

Detail section

Segment number: 30

SG17	- C	1000	- PGI-SG21-SG36			
SG36	- C	999999	- LIN-PIA-IMD-MEA-QTY-ALI-DTM-FTX-SG37-SG38-SG40-SG41-SG47-SG51-SG56			
IMD	- C	999	- Item description			
Description: To describe an item in either an industry or free format.						
		EDIFACT	EAN	*	GER	Description:
7077	Description format code	C an..3	R	*		C = Code (from industry code list)
C272	ITEM CHARACTERISTIC	C	N		N	
7081	Item characteristic code	C an..3	R			
C273	ITEM DESCRIPTION	C	A		R	
7009	Item description code	C an..17	O		R	NOS article, yes/no NOS = Yes, NOS item (GS1 Code) NOT = Not, not an NOS item (GS1 Code)
1131	Code list identification code	C an..17	O		N	
3055	Code list responsible agency code	C an..3	D			9 = GS1
Segment notes: Segmentstatus: Mandatory This segment is used to provide a description for the current line item. Example: IMD+C++NOS::9' The article is NOS.						

7. EANCOM® Segments Layout

Detail section

Segment number: 31

SG17	- C	1000	- PGI-SG21-SG36			
SG36	- C	999999	- LIN-PIA-IMD-MEA-QTY-ALI-DTM-FTX-SG37-SG38-SG40-SG41-SG47-SG51-SG56			
IMD	- C	999	- Item description			
Description: To describe an item in either an industry or free format.						
		EDIFACT	EAN	*	GER	Description:
7077	Description format code	C an..3	R			C = Code (from industry code list)
C272	ITEM CHARACTERISTIC	C	C			
7081	Item characteristic code	C an..3	O			XX7 = Season parameter (GS1 Code)
1131	Code list identification code	C an..17	O			
3055	Code list responsible agency code	C an..3	D			9 = GS1
C273	ITEM DESCRIPTION	C	C			
7009	Item description code	C an..17	R			See note below Season parameter
1131	Code list identification code	C an..17	O			
3055	Code list responsible agency code	C an..3	M			246 = GS1 Germany
Segment notes:						
Segmentstatus: Optional						
Angegeben wird immer der 1. geplante Verbrauchsmonat/-Saison. Der Wareneingang liegt in der jeweiligen Vorperiode kurz vor dem entsprechenden geplanten Verbrauchszeitraum.						
J J M M 2 Stellen Jahr, 2 Stellen Monat						
J J A Nr. Bei Saison-Angaben 2 Stellen Jahr, 1 Stelle Anzahl Saisons, 1 Stelle Nummer (1= 1. Halbjahr od. 1. Quartal)						
9 9 9 0 bei Mehrjahres- oder NOS-Sortimenten Angabe von "999" sowie = = Ganzjahr						
9 9 9 1 1 = F/S						
9 9 9 2 2 = H/W						
Example: IMD+C+XX7::9+9991::9'						

7. EANCOM® Segments Layout

Detail section

Segment number: 32

SG17	- C	1000	- PGI-SG21-SG36			
SG36	- C	999999	- LIN-PIA-IMD-MEA-QTY-ALI-DTM-FTX-SG37-SG38-SG40-SG41-SG47-SG51-SG56			
MEA	- C	10	- Measurements			
Description: To specify physical measurements, including dimension tolerances, weights and counts.						
		EDIFACT	EAN	*	GER	Description:
6311	Measurement purpose code qualifier	M an..3	M			PD = Physical dimensions (product ordered)
C502	MEASUREMENT DETAILS	C	A			
6313	Measured attribute code	C an..3	A			HT = Height dimension WD = Width dimension LN = Length dimension
6321	Measurement significance code	C an..3	O			
6155	Non-discrete measurement name code	C an..17	O			
6154	Non-discrete measurement name	C an..70	N			
C174	VALUE/RANGE	C	A			
6411	Measurement unit code	M an..3	M			MMT = millimetre CMT = centimetre MTR = metre
6314	Measurement value	C an..18	O			Measurements
Segment notes: Segmentstatus: Conditional This segment is used to provide measurements. Example: MEA+PD+HT+MMT:1050' The height is 1050 mm						

7. EANCOM® Segments Layout

Detail section

Segment number: 33

SG17	- C	1000	- PGI-SG21-SG36			
SG36	- C	999999	- LIN-PIA-IMD-MEA-QTY-ALI-DTM-FTX-SG37-SG38-SG40-SG41-SG47-SG51-SG56			
MEA	- C	10	- Measurements			
Description: To specify physical measurements, including dimension tolerances, weights and counts.						
		EDIFACT	EAN	*	GER	Description:
6311	Measurement purpose code qualifier	M an..3	M			AAI = Item weight
C502	MEASUREMENT DETAILS	C	A			
6313	Measured attribute code	C an..3	A			AAB = Unit gross weight
6321	Measurement significance code	C an..3	O			
6155	Non-discrete measurement name code	C an..17	O			
6154	Non-discrete measurement name	C an..70	N			
C174	VALUE/RANGE	C	A			
6411	Measurement unit code	M an..3	M			KGM = kilogram GRM = gram
6314	Measurement value	C an..18	O			Gross weight
Segment notes: Segmentstatus: Conditional This segment is used to provide the gross weight. Example: MEA+AAI+AAB+KGM:5' The gross weight is 5 kg.						

7. EANCOM® Segments Layout

Detail section

Segment number: 34

SG17	- C	1000	- PGI-SG21-SG36
SG36	- C	999999	- LIN-PIA-IMD-MEA-QTY-ALI-DTM-FTX-SG37-SG38-SG40-SG41-SG47-SG51-SG56
QTY	- C	10	- Quantity
Description: To specify a pertinent quantity.			
		EDIFACT	EAN * GER Description:
C186	QUANTITY DETAILS	M	M
6063	Quantity type code qualifier	M an..3	M
6060	Quantity	M an..35	M
<p>53 = Minimum order quantity</p> <p>Smallest Order Quantity Use only numeric values.</p>			
Segment notes:			
Segmentstatus: Optional			
The QTY segment is used to specify the smallest order quantity for the current line item, which was identified in the LIN segment.			
Example: QTY+53:20'			
The smallest ordered quantity amounts to 20 pieces of the article no. described in the LIN segment. (GTIN).			

7. EANCOM® Segments Layout

Detail section

Segment number: 35

SG17	- C	1000	- PGI-SG21-SG36
SG36	- C	999999	- LIN-PIA-IMD-MEA-QTY-ALI-DTM-FTX-SG37-SG38-SG40-SG41-SG47-SG51-SG56
QTY	- C	10	- Quantity
Description: To specify a pertinent quantity.			
		EDIFACT	EAN * GER Description:
C186	QUANTITY DETAILS	M	M
6063	Quantity type code qualifier	M an..3	M
6060	Quantity	M an..35	M
<p>251 = Incremental order quantity</p> <p>Incremental order quantity Use only numeric values.</p>			
Segment notes:			
Segmentstatus: Optional			
The QTY segment is used to specify the incremental order quantity for the current line item, which was identified in the LIN segment.			
Example: QTY+251:20'			
The subset quantity of the ordered article no. (GTIN) described in the LIN segment equals 20 pieces. Any higher multiple of 20 may be ordered.			

7. EANCOM® Segments Layout

Detail section

Segment number: 36

SG17	- C	1000	- PGI-SG21-SG36	
SG36	- C	999999	- LIN-PIA-IMD-MEA-QTY-ALI-DTM-FTX-SG37-SG38-SG40-SG41-SG47-SG51-SG56	
ALI	- C	5	- Additional information	
Description: To indicate that special conditions due to the origin, customs preference, fiscal or commercial factors are applicable.				
		EDIFACT	EAN * GER Description:	
3239	Country of origin name code	C an..3	0	DE = GERMANY CH = SWITZERLAND Country of origin
Segment notes: Segmentstatus: Optional Example: ALI+DE' Country of origin is Germany.				

7. EANCOM® Segments Layout

Detail section

Segment number: 37

SG17	- C	1000	- PGI-SG21-SG36	
SG36	- C	999999	- LIN-PIA-IMD-MEA-QTY-ALI-DTM-FTX-SG37-SG38-SG40-SG41-SG47-SG51-SG56	
ALI	- C	5	- Additional information	
Description: To indicate that special conditions due to the origin, customs preference, fiscal or commercial factors are applicable.				
		EDIFACT	EAN * GER Description:	
3239	Country of origin name code	C an..3	O	
9213	Duty regime type code	C an..3	O	N
4183	Special condition code	C an..3	O	Not subject to automated processes 132 = not subject to automated processes
Segment notes: Segmentstatus: Muss Example: ALI+++132' Manual finishing is needed.				

7. EANCOM® Segments Layout

Detail section

Segment number: 38

SG17	- C	1000	- PGI-SG21-SG36			
SG36	- C	999999	- LIN-PIA-IMD-MEA-QTY-ALI-DTM-FTX-SG37-SG38-SG40-SG41-SG47-SG51-SG56			
DTM	- C	10	- Date/time/period			
Description: To specify date, and/or time, or period.						
		EDIFACT	EAN	*	GER	Description:
C507	DATE/TIME/PERIOD	M	M			
2005	Date or time or period function code qualifier	M an..3	M			157 = Validity start date
2380	Date or time or period value	C an..35	R			Validity, start date
2379	Date or time or period format code	C an..3	R			102 = CCYYMMDD
Segment notes: Segmentstatus: Conditional Example: DTM+157:20090526:102' The validity period starts with the 26th of May 2009 .						

7. EANCOM® Segments Layout

Detail section

Segment number: 39

SG17	- C	1000	- PGI-SG21-SG36			
SG36	- C	999999	- LIN-PIA-IMD-MEA-QTY-ALI-DTM-FTX-SG37-SG38-SG40-SG41-SG47-SG51-SG56			
DTM	- C	10	- Date/time/period			
Description: To specify date, and/or time, or period.						
		EDIFACT	EAN	*	GER	Description:
C507	DATE/TIME/PERIOD	M	M			
2005	Date or time or period function code qualifier	M an..3	M			423 = First date of ordering 424 = Last date of ordering
2380	Date or time or period value	C an..35	R			Earliest order date, (detail section)
2379	Date or time or period format code	C an..3	R			102 = CCYYMMDD
Segment notes: Segmentstatus: Conditional This segment is used by the supplier to specify an order period for the article. Example: DTM+423:20091028:102' The earliest order date is the 28 October 2009.						

7. EANCOM® Segments Layout

Detail section

Segment number: 40

SG17	- C	1000	- PGI-SG21-SG36			
SG36	- C	999999	- LIN-PIA-IMD-MEA-QTY-ALI-DTM-FTX-SG37-SG38-SG40-SG41-SG47-SG51-SG56			
DTM	- C	10	- Date/time/period			
Description: To specify date, and/or time, or period.						
		EDIFACT	EAN	*	GER	Description:
C507	DATE/TIME/PERIOD	M	M			
2005	Date or time or period function code qualifier	M an..3	M			63 = Delivery date/time, latest 64 = Delivery date/time, earliest
2380	Date or time or period value	C an..35	R			Delivery period, (detail section)
2379	Date or time or period format code	C an..3	R			102 = CCYYMMDD
Segment notes: Segmentstatus: Conditional This segment is used by the supplier to specify a delivery period for the article. Example: DTM+63:20091028:102' The latest delivery date is the 28 October 2009.						

7. EANCOM® Segments Layout

Segment number: 41

SG17	- C	1000	- PGI-SG21-SG36			
SG36	- C	999999	- LIN-PIA-IMD-MEA-QTY-ALI-DTM-FTX-SG37-SG38-SG40-SG41-SG47-SG51-SG56			
SG37	- C	999	- CCI-CAV-MEA			
CCI	- M	1	- Characteristic/class id			
Description:						
To identify and describe a specific characteristic and its relevance for subsequent business processes.						
		EDIFACT	EAN	*	GER	Description:
7059	Class type code	C an..3	O			11 = Product
C502	MEASUREMENT DETAILS	C	N			
6313	Measured attribute code	C an..3				
C240	PRODUCT CHARACTERISTIC	C	O			
7037	Characteristic description code	M an..17	M			MATERIA = Material Information (GS1 Code) L Material information
Segment notes:						
This segment is used to specify the characteristics of the current line item.						
Example:						
Example: CCI+++MATERIAL'						

7. EANCOM® Segments Layout

Segment number: 42

SG17	- C	1000	- PGI-SG21-SG36
SG36	- C	999999	- LIN-PIA-IMD-MEA-QTY-ALI-DTM-FTX-SG37-SG38-SG40-SG41-SG47-SG51-SG56
SG37	- C	999	- CCI-CAV-MEA
CAV	- C	10	- Characteristic value

Description:
To provide the value of a characteristic.

	EDIFACT	EAN	*	GER	Description:
C889	CHARACTERISTIC VALUE	M	M		
7111	Characteristic value description code	C an..3	A		Material, Code CO = Baumwolle 39 = Fleece
1131	Code list identification code	C an..17	O		GDSNMATERIALCODE (Fixwert)
3055	Code list responsible agency code	C an..3	D		174 = DE, DIN (Deutsches Institut fuer Normung) 246 = GS1 Germany
7110	Characteristic value description	C an..35	O		Material, Text
7110	Characteristic value description	C an..35	O		

Segment notes:
This segment is used to further specify product characteristics for the current line item.

Example:
Example: CAV+39:GDSNMATERIALCODE:246:FLEECE'
In Kombination mit dem Beispiel im vorherigen CCI zeigt, dass der im Produkt verwendete Stoff aus Fleece ist.

7. EANCOM® Segments Layout

Segment number: 43

SG17	- C	1000	- PGI-SG21-SG36
SG36	- C	999999	- LIN-PIA-IMD-MEA-QTY-ALI-DTM-FTX-SG37-SG38-SG40-SG41-SG47-SG51-SG56
SG37	- C	999	- CCI-CAV-MEA
MEA	- C	10	- Measurements

Description:

To specify physical measurements, including dimension tolerances, weights and counts.

		EDIFACT	EAN	*	GER	Description:
6311	Measurement purpose code qualifier	M an..3	M			SV = Specification value
C502	MEASUREMENT DETAILS	C	O			
6313	Measured attribute code	C an..3	A			
6321	Measurement significance code	C an..3	O			3 = Approximately 4 = Equal to
6155	Non-discrete measurement name code	C an..17	O			
C174	VALUE/RANGE	C	R			
6411	Measurement unit code	M an..3	M			P1 = percent
6314	Measurement value	C an..18	O			Material, percentage Only numeric values.

Segment notes:

This segment is used to specify any measurements related to the currently identified product characteristic class.

Example:

Example: MEA+SV+:3+P1:65'

This MEA segment indicates the measurements for the specification identified in the CCI and CAV segments. In this instance the ingredient fleece is 65% of the total ingredients for the product.

7. EANCOM® Segments Layout

Detail section

Segment number: 44

SG17	- C	1000 - PGI-SG21-SG36
SG36	- C	999999 - LIN-PIA-IMD-MEA-QTY-ALI-DTM-FTX-SG37-SG38-SG40-SG41-SG47-SG51-SG56
SG38	- C	10 - TAX
TAX	- M	1 - Duty/tax/fee details

Description:

To specify relevant duty/tax/fee information.

		EDIFACT	EAN	*	GER	Description:
5283	Duty or tax or fee function code qualifier	M an..3	M			7 = Tax
C241	DUTY/TAX/FEE TYPE	C	D			
5153	Duty or tax or fee type name code	C an..3	O			Value added tax on line level VAT = Value added tax
1131	Code list identification code	C an..17	O			
3055	Code list responsible agency code	C an..3	D			
5152	Duty or tax or fee type name	C an..35	O			
C533	DUTY/TAX/FEE ACCOUNT DETAIL	C	O			
5289	Duty or tax or fee account code	M an..6	M			
1131	Code list identification code	C an..17	O			
3055	Code list responsible agency code	C an..3	D			
5286	Duty or tax or fee assessment basis value	C an..15	O			
C243	DUTY/TAX/FEE DETAIL	C	A			
5279	Duty or tax or fee rate code	C an..7	O			
1131	Code list identification code	C an..17	O			
3055	Code list responsible agency code	C an..3	D			
5278	Duty or tax or fee rate	C an..17	R			Actual tax rate
5273	Duty or tax or fee rate basis code	C an..12	O			
1131	Code list identification code	C an..17	O			
3055	Code list responsible agency code	C an..3	D			
5305	Duty or tax or fee category code	C an..3	D		R	E = Exempt from tax S = Standard rate O = Services outside scope of tax (nicht steuerbarer Umsatz)

Segment notes:

Segmentstatus: Depending, mandatory if the VAT rate differ from the indication in the heading section.

Note to DE 5278 and 5305:

7. EANCOM® Segments Layout

Detail section

Segment number: 44

If the business volume is free of tax, DE 5278 must contain 0 (zero).

Example: TAX+7+VAT+++:::19+S'

The VAT rate for the current line item is 19%.

7. EANCOM® Segments Layout

Detail section

Segment number: 45

SG17	- C	1000	- PGI-SG21-SG36			
SG36	- C	999999	- LIN-PIA-IMD-MEA-QTY-ALI-DTM-FTX-SG37-SG38-SG40-SG41-SG47-SG51-SG56			
SG40	- C	100	- PRI-RNG			
PRI	- M	1	- Price details			
Description: To specify price information.						
		EDIFACT	EAN	*	GER	Description:
C509	PRICE INFORMATION	C	R			
5125	Price code qualifier	M an..3	M			AAA = Calculation net
5118	Price amount	C n..15	A			Single price per invoiced unit net
Segment notes:						
Segmentstatus: Depending, mandatory if ALC, PCD or ALC, MOA are used.						
This segment is used to provide the net price.						
Example: PRI+AAA:9.98' The net price is 9.98 EURO.						

7. EANCOM® Segments Layout

Detail section

Segment number: 46

SG17	- C	1000	- PGI-SG21-SG36			
SG36	- C	999999	- LIN-PIA-IMD-MEA-QTY-ALI-DTM-FTX-SG37-SG38-SG40-SG41-SG47-SG51-SG56			
SG40	- C	100	- PRI-RNG			
RNG	- C	1	- Range details			
Description: To identify a range.						
		EDIFACT	EAN	*	GER	Description:
6167	Range type code qualifier	M an..3	M			3 = Monetary range
C280	RANGE	C	R			
6411	Measurement unit code	M an..3	M			PCE = Piece (GS1 Code) AMT = Amount (GS1 Code)
6162	Range minimum value	C n..18	O			Range minimum value
6152	Range maximum value	C n..18	O			Range maximum value
Segment notes:						
Segmentstatus: Optional						
This segment is used to specify ranges which apply to the previous PRI segment.						
Example: RNG+1+PCE:20:29' The price range is from 20 to 29 pieces.						

7. EANCOM® Segments Layout

Detail section

Segment number: 47

SG17	- C	1000	- PGI-SG21-SG36	
SG36	- C	999999	- LIN-PIA-IMD-MEA-QTY-ALI-DTM-FTX-SG37-SG38-SG40-SG41-SG47-SG51-SG56	
SG40	- C	100	- PRI	
PRI	- M	1	- Price details	
Description: To specify price information.				
		EDIFACT	EAN * GER Description:	
C509	PRICE INFORMATION	C	R	
5125	Price code qualifier	M an..3	M	AAB = Calculation gross
5118	Price amount	C n..15	A	Single price per invoiced unit gross
Segment notes: Segmentstatus: Optional This segment is used to provide the gross price. Example: PRI+AAB:9.98' The gross price is 9.98 EURO.				

7. EANCOM® Segments Layout

Detail section

Segment number: 48

SG17	- C	1000	- PGI-SG21-SG36			
SG36	- C	999999	- LIN-PIA-IMD-MEA-QTY-ALI-DTM-FTX-SG37-SG38-SG40-SG41-SG47-SG51-SG56			
SG40	- C	100	- PRI-CUX-LOC			
PRI	- M	1	- Price details			
Description: To specify price information.						
		EDIFACT	EAN	*	GER	Description:
C509	PRICE INFORMATION	C	R			
5125	Price code qualifier	M an..3	M			AAE = Information price, excluding allowances or charges, including taxes
5118	Price amount	C n..15	R			Retail price
5375	Price type code	C an..3	O			
5387	Price specification code	C an..3	O			SRP = Suggested retail price
Segment notes: Segmentstatus: Conditional Example: PRI+AAE:19.98::SRP' The suggested retail price per piece is 19.98 EURO incl. tax.						

7. EANCOM® Segments Layout

Detail section

Segment number: 49

SG17	- C	1000	- PGI-SG21-SG36			
SG36	- C	999999	- LIN-PIA-IMD-MEA-QTY-ALI-DTM-FTX-SG37-SG38-SG40-SG41-SG47-SG51-SG56			
SG47	- C	999	- PAC			
PAC	- M	1	- Package			
Description:						
To describe the number and type of packages/physical units.						
		EDIFACT	EAN	*	GER	Description:
7224	Package quantity	C n..8	O			
C531	PACKAGING DETAILS	C	O			
7075	Packaging level code	C an..3	O		N	
7233	Packaging related description code	C an..3	O			53 = Package price marked Marked with price
Segment notes:						
Segmentstatus: Conditional						
Example: PAC++:53'						
The article is marked with a price.						

7. EANCOM® Segments Layout

Detail section

Segment number: 50

SG17	- C	1000	- PGI-SG21-SG36			
SG36	- C	999999	- LIN-PIA-IMD-MEA-QTY-ALI-DTM-FTX-SG37-SG38-SG40-SG41-SG47-SG51-SG56			
SG47	- C	999	- PAC			
PAC	- M	1	- Package			
Description:						
To describe the number and type of packages/physical units.						
		EDIFACT	EAN	*	GER	Description:
7224	Package quantity	C n..8	O			
C531	PACKAGING DETAILS	C	O			
7075	Packaging level code	C an..3	O		N	
7233	Packaging related description code	C an..3	O			50 = Package barcoded EAN-13 or EAN-8 51 = Package barcoded ITF-14 52 = Package barcoded UCC or EAN-128 Marked with barcode
Segment notes:						
Segmentstatus: Conditional						
Example: PAC++:50' The article is marked with a barcode.						

7. EANCOM® Segments Layout

Detail section

Segment number: 51

SG17	- C	1000	- PGI-SG21-SG36			
SG36	- C	999999	- LIN-PIA-IMD-MEA-QTY-ALI-DTM-FTX-SG37-SG38-SG40-SG41-SG47-SG51-SG56			
SG47	- C	999	- PAC			
PAC	- M	1	- Package			
Description:						
To describe the number and type of packages/physical units.						
		EDIFACT	EAN	*	GER	Description:
7224	Package quantity	C n..8	O			
C531	PACKAGING DETAILS	C	O			
7075	Packaging level code	C an..3	O		N	
7233	Packaging related description code	C an..3	O			
7073	Packaging terms and conditions code	C an..3	O		N	
C202	PACKAGE TYPE	C	O			
7065	Package type description code	C an..17	A			Type of package BX = Box CR = Crate CT = Carton Textile meaning: lying RJ = Rack, clothing hanger Textile meaning: hanging
1131	Code list identification code	C an..17	O			
3055	Code list responsible agency code	C an..3	D			9 = GS1
Segment notes:						
Segmentstatus: Conditional						
Example: PAC+++RJ::9'						
The article is delivered hanging on racks.						

7. EANCOM® Segments Layout

Detail section

Segment number: 52

SG17	- C	1000	- PGI-SG21-SG36			
SG36	- C	999999	- LIN-PIA-IMD-MEA-QTY-ALI-DTM-FTX-SG37-SG38-SG40-SG41-SG47-SG51-SG56			
SG47	- C	999	- PAC			
PAC	- M	1	- Package			
Description:						
To describe the number and type of packages/physical units.						
		EDIFACT	EAN	*	GER	Description:
7224	Package quantity	C n..8	O		N	
C531	PACKAGING DETAILS	C	O			
7075	Packaging level code	C an..3	O		R	1 = Inner Indicates that the information is related to the content
7233	Packaging related description code	C an..3	O		N	
7073	Packaging terms and conditions code	C an..3	O		N	
C202	PACKAGE TYPE	C	O			
7065	Package type description code	C an..17	A			CT = Carton Textile meaning: lying RJ = Rack, clothing hanger Textile meaning: hanging
1131	Code list identification code	C an..17	M			SKB Standard clothes hanger
3055	Code list responsible agency code	C an..3	D			92 = Assigned by buyer or buyer's agent 246 = GS1 Germany
7064	Type of packages	C an..35	O		R	Clothes hanger type
Segment notes:						
Segmentstatus: Conditional						
This segment is only used to order textiles on clothes hangers.						
If clothes hangers are used according SKRS recommendation (see Introduction) in DE 7064, DE 3055 is provided with code "246" otherwise "92".						
Example: PAC++1+RJ:SKB:246:4023330990014'						
The article is packed on clothes hanger type 4023330990014 according SKRS recommendation.						

7. EANCOM® Segments Layout

Detail section

Segment number: 53

SG17	- C	1000	- PGI-SG21-SG36			
SG36	- C	999999	- LIN-PIA-IMD-MEA-QTY-ALI-DTM-FTX-SG37-SG38-SG40-SG41-SG47-SG51-SG56			
SG51	- C	99	- EFI-COM			
EFI	- M	1	- External file link identification			
Description:						
To specify the link of one non-EDIFACT external file to an EDIFACT message.						
		EDIFACT	EAN	*	GER	Description:
C077	FILE IDENTIFICATION	M	M			
1508	File name	C an..35	R			Name of file
7008	Item description	C an..256	O			
C099	FILE DETAILS	C	R			
1516	File format name	M an..17	M			Format of file
1056	Version identifier	C an..9	N			
1503	Data format description code	C an..3	R			3 = Binary
Segment notes:						
Segmentstatus: Conditional						
This segment is used to identify an external object by indicating its identification and the format.						
Example: EFI+EANCOM+html::3' The object is a html file named EANCOM.						

7. EANCOM® Segments Layout

Detail section

Segment number: 54

SG17	- C	1000	- PGI-SG21-SG36			
SG36	- C	999999	- LIN-PIA-IMD-MEA-QTY-ALI-DTM-FTX-SG37-SG38-SG40-SG41-SG47-SG51-SG56			
SG51	- C	99	- EFI-COM			
COM	- C	9	- Communication contact			
Description: To identify a communication number of a department or a person to whom communication should be directed.						
		EDIFACT	EAN	*	GER	Description:
C076	COMMUNICATION CONTACT	M	M			
3148	Communication address identifier	M an..512	M			Adress in the internet
3155	Communication address code qualifier	M an..3	M			WWW = WWW-Site (GS1 Code)
Segment notes: Segmentstatus: Conditional This segment is used to identify the communication address where the external object is to be found. Example: COM+www.gs1-germany.de:WWW' The address in the internet is: www.gs1-germany.de						

7. EANCOM® Segments Layout

Segment number: 55

SG17	- C	1000	- PGI-SG21-SG36			
SG36	- C	999999	- LIN-PIA-IMD-MEA-QTY-ALI-DTM-FTX-SG37-SG38-SG40-SG41-SG47-SG51-SG56			
SG56	- C	999	- HYN-QTY			
HYN	- M	1	- Hierarchy information			
Description:						
A segment to identify hierarchical connections from a given item to a higher or lower levelled item or to identify dependencies among the content of hierarchically related groups of data.						
		EDIFACT	EAN	*	GER	Description:
7173	Hierarchy object code qualifier	M an..3	M			2 = Product
7171	Hierarchical structure relationship code	C an..3	R			2 = Child
1229	Action request/notification description code	C an..3	A			
C212	ITEM NUMBER IDENTIFICATION	C	M			
7140	Item identifier	C an..35	R			GTIN
7143	Item type identification code	C an..3	R			SRV = GS1 Global Trade Item Number SA = Supplier's article number
Segment notes:						
Segmentstatus: Conditional						
This segment is used to provide hierarchical product information related to the current line item.						
Example: HYN+2+2++4012345123456:SRV'						
This example indicates that the GTIN 4012345123456 of the HYN segment is a child in the product hierarchy to the GTIN identified in the LIN segment.						

7. EANCOM® Segments Layout

Detail section

Segment number: 56

SG17	- C	1000	- PGI-SG21-SG36	
SG36	- C	999999	- LIN-PIA-IMD-MEA-QTY-ALI-DTM-FTX-SG37-SG38-SG40-SG41-SG47-SG51-SG56	
SG56	- C	999	- HYN-QTY	
QTY	- C	9	- Quantity	
Description: To specify a pertinent quantity.				
		EDIFACT	EAN * GER Description:	
C186	QUANTITY DETAILS	M	M	
6063	Quantity type code qualifier	M an..3	M	45E = Number of units in higher packaging or configuration level (GS1 Code)
6060	Quantity	M an..35	M	Quantity Use only numeric values.
Segment notes: Segmentstatus: Mandatory Example: QTY+45E:20' The quantity is 20 pieces.				

7. EANCOM® Segments Layout

Summen-TeilEnd of the message

Segment number: 57

UNT - M 1 - Message trailer						
Description: To end and check the completeness of a message.						
		EDIFACT	EAN	*	GER	Description:
0074	Number of segments in the message	M n..6	M			Number of segments within a message
0062	Message reference number	M an..14	M			The reference number from the UNH segment must be repeated here Same contents as DE 0062 in the UNH segment
Segment notes: Segmentstatus: Mandatory This segment is a mandatory UN/EDIFACT segment. It must always be the last segment in the message. Example: UNT+63+ME0001' Number of segments in the message.						

7. EANCOM® Segments Layout

Segment number: 58

UNZ - M 1 - Interchange trailer						
Description: To end and check the completeness of an interchange.						
		EDIFACT	EAN	*	GER	Description:
0036	Interchange control count	M n..6	M			End of the transmission file, Number of messages or message groups Number of messages or message groups in the transmission file.
0020	Interchange control reference	M an..14	M			Interchange control reference, end Interchange control reference, identical with UNB DE 0020.
Segment notes: The UNZ segment is the last segment of the transmission file. Note DE 0036: If functional groups are not used, this is the number of messages within the interchange. Example: UNZ+1+4711' The transmission file contains 1 message.						

8. Example(s)

ORDERS message example

Please note that EANCOM® 2002 message examples are intended to describe all possible constellations of segment use. They do not necessarily reflect the actual requirements of a business process.

Please also note that for technical reasons the examples can contain component data element separators, which would normally be represented as data element separators in original messages.

8. Example(s)

UNA:+.?'

The UNA segment contains the default service string characters.

UNB+UNOC:3+401234500009:14:4012345000018+4000004000002:14:4000004000099+101013:1043+4711+REF:AA++++EANCOM+1'

The EANCOM file 4711 dated 13.10.2010, 10 h 43 is sent by the issuer identified with GLN 4012345000009 to the receiver identified with GLN 4000004000002.

UNH+ME0001+PRICAT:D:01B:UN:EAN009'

The reference number of the PRICAT message is ME0001.

BGM+9::9+128576+9'

The document number is 128576.

DTM+137:20081209:102'

The message was created on 09.12.2008.

DTM+157:20090526:102'

The validity period starts with the 26th of May 2009 .

NAD+SU+4012345000009::9'

The supplier/manufacturer is identified by Global Location Number (GLN) 4012345000009.

RFF+GN:HRB-471111'

German statements on business letters: HRB-471111

NAD+MR+4398765000004::9'

The price list is valid for the receiver with the Global Location Number (GLN) 4398765000004.

TAX+7+VAT+++:::19+S'

The VAT rate for the price list is 19%.

CUX+2:EUR:9'

The currency of the price list is EURO

PGI+11+TB:BEISPIEL:91'

This example shows the grouping TB of the codelist "BEISPIEL" generated by the supplier.

LIN+1+1+4000004000035:SRV'

The line item with number 1 is identified by GTIN 4000004000035.

PIA+1+7788:SA'

The product with GTIN 4056786542381 is additionally identified with suppliers article number 7788.

PIA+1+CH-5343:NB+XYZ987:HS+4012368259753:PV+ABC123:MN'

Batch number, Harmonized system, Promotional variant, model number

PIA+1+4711:GD:BTE:9'

The article belongs to the class of goods "4711" according the classification system of BTE

IMD+F+ANM::9+:::FASHION2009::DE'

Name of Artikel: Fashion2009

IMD+A++:::Fashion::DE'

Article long description: Fashion

8. Example(s)

IMD+D++:::FASHION2009:::DE'

The short description is "Fashion2009 (e.g. sales slip)

IMD+F+BRN::9+:::CFB FASHION:::DE'

The brand name is: CFB Fashion

IMD+F+XX5::9+:::Sommerschlussverkauf:::DE'

Name of the campaign: Sommerschlussverkauf

IMD+A+TPE+:::Fashion:::DE'

The model description is: Fashion

IMD+B+35::9+Col3012::91:PINK:::DE'

Colour: Pink (e.g. textile)

IMD+B+SGR::9+XXS::91:Extra small:::DE'

Size: XXS

IMD+B+UP5+:::B'

Cup B

IMD+C++ORU:::9'

The article is an ordering unit.

IMD+C++DU:::9'

The article is a despatch unit.

IMD+C++SU:::9'

The article is the smallest unit.

IMD+C++CU:::9'

The article is the consumer unit.

IMD+C++NOS:::9'

The article is NOS.

IMD+C+XX7::9+9991:::9'

MEA+PD+HT+MMT:1050'

The height is 1050 mm

MEA+AAI+AAB+KGM:5'

The gross weight is 5 kg.

QTY+53:20'

The smallest ordered quantity amounts to 20 pieces of the article no. described in the LIN segment. (GTIN).

QTY+251:20'

The subset quantity of the ordered article no. (GTIN) described in the LIN segment equals 20 pieces. Any higher multiple of 20 may be ordered.

ALI+DE'

Country of origin is Germany.

ALI+++132'

Manual finishing is needed.

8. Example(s)

DTM+157:20090526:102'

The validity period starts with the 26th of May 2009 .

DTM+423:20091028:102'

The earliest order date is the 28 October 2009.

DTM+63:20091028:102'

The latest delivery date is the 28 October 2009.

CCI+++MATERIAL'

CAV+39:GDSNMATERIALCODE:246:FLEECE'

In Kombination mit dem Beispiel im vorherigen CCI zeigt, dass der im Produkt verwendete Stoff aus Fleece ist.

MEA+SV+:3+P1:65'

This MEA segment indicates the measurements for the specification identified in the CCI and CAV segments. In this instance the ingredient fleece is 65% of the total ingredients for the product.

TAX+7+VAT+++:::19+S'

The VAT rate for the current line item is 19%.

PRI+AAA:9.98'

The net price is 9.98 EURO.

RNG+1+PCE:20:29'

The price range is from 20 to 29 pieces.

PRI+AAB:9.98'

The gross price is 9.98 EURO.

PRI+AAE:19.98::SRP'

The suggested retail price per piece is 19.98 EURO incl. tax.

PAC++:53'

The article is marked with a price.

PAC++:50'

The article is marked with a barcode.

PAC+++RJ::9'

The article is delivered hanging on racks.

PAC++1+RJ:SKB:246:4023330990014'

The article is packed on clothes hanger type 4023330990014 according SKRS recommendation.

EFI+EANCOM+html::3'

The object is a html file named EANCOM.

COM+www.gs1-germany.de:WWW'

The address in the internet is: www.gs1-germany.de

HYN+2+2++4012345123456:SRV'

This example indicates that the GTIN 4012345123456 of the HYN segment is a child in the product hierarchy to the GTIN identified in the LIN segment.

8. Example(s)

QTY+45E:20'

The quantity is 20 pieces.

UNT+63+ME0001'

Number of segments in the message.

UNZ+1+4711'

The transmission file contains 1 message.
